



FITTING INSTRUCTIONS

ARMR - MOUNT KIT ROOF RACK

Kit Contents

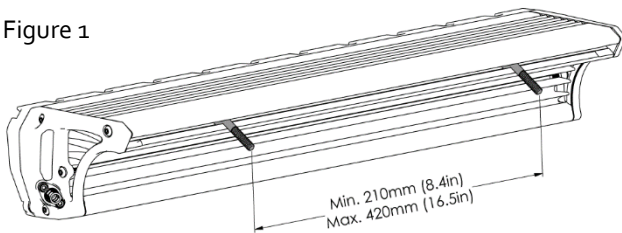
PART #	DESCRIPTION	PART #	DESCRIPTION
5670049	2 x CLAMP	6151212	6 x M8 NYLOC NUT BLACK
3193781	2 x BONE SPACER	6151223	2 x M6 NYLOC NUT BLACK
3193782	2 x STEEL BACKING PLATE	4581045	10 x M8 WASHER BLACK
3752117R	1 x HANGER BRACKET RH	4584295	2 x M6 WASHER BLACK
3752117L	1 x HANGER BRACKET LH	6151923	2 x M6x20mm BOLT SQUARE HEAD
6151336	2 x M8x60mm BOLT COACH	6151162	2 x M6 NYLOC NUT SILVER
6151497	2 x M6x65mm BOLT COACH	4581304	2 x M6 WASHER SILVER
6151465	4 x M8x35mm BOLT ALLEN		

Tools Required

¼ INCH DRIVE RACKET	TORQUE WRENCH (9-22 Nm / 80-195 LB-IN)
13mm SOCKET	5mm HEX KEY
10mm SOCKET	DRILL
13mm OPEN END / RING SPANNER	8.5mm DRILL BIT
10mm OPEN END / RING SPANNER	RUST PREVENTATIVE PAINT

FITTING PROCEDURE

Figure 1



1. The square head bolts must be evenly spaced about centre of light bar, with a centre distance between 210mm and 420mm. See Figure 1.

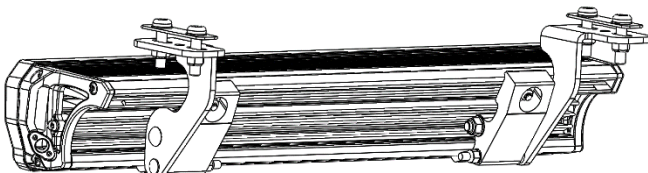
Figure 2



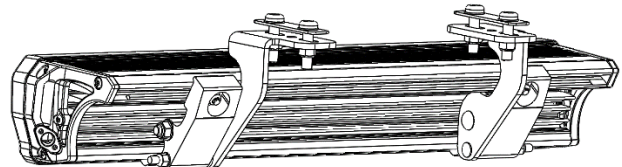
Further to this, the hanger bracket mounting holes should fall inside the roof rack channel section (if available). See Figure 2.

Measure the roof racks and select the most appropriate configuration from the four options below, ensuring the centre distance of the square head bolts comply with the 210-420mm rule. See configurations below.

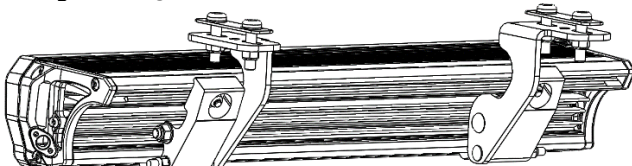
Configuration 1



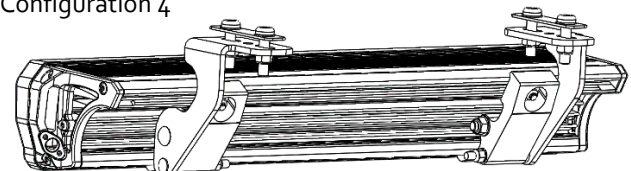
Configuration 2

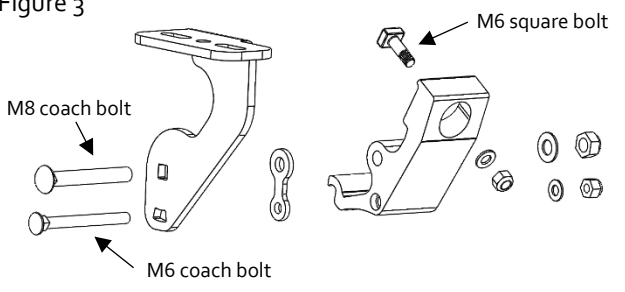
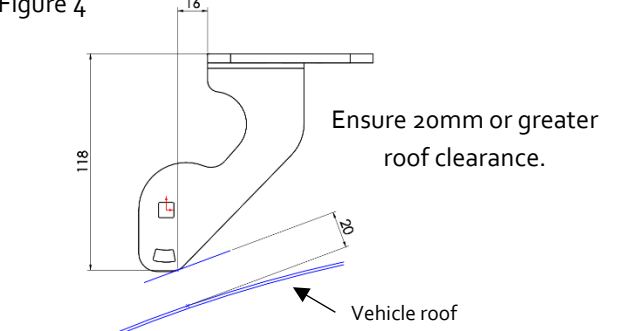
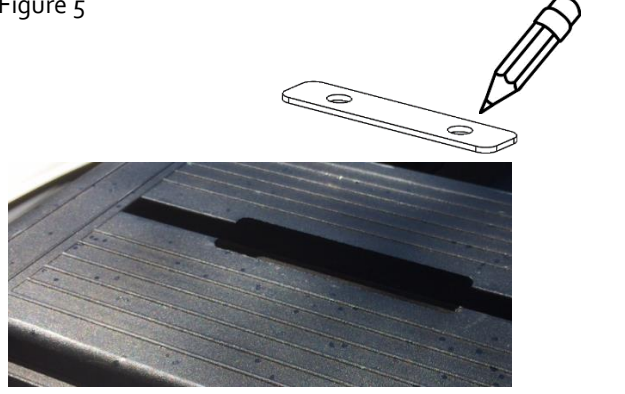
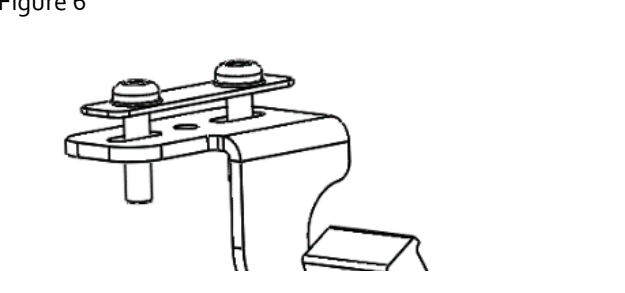


Configuration 3



Configuration 4



<p>Figure 3</p> 	<ol style="list-style-type: none"> Assemble each clamp in the desired configuration from Step 1. Leave fasteners loose for ease of adjustment. See Figure 3. Install each clamp assembly onto the lightbar, again leaving the fasteners loose for ease of adjustment. See Figure 3. 								
<p>Figure 4</p> 	<ol style="list-style-type: none"> IMPORTANT: The clearance between the vehicle roof and the lightbar / mount kit assembly must be 20mm or greater. Adjust the lightbar mounting location to achieve this clearance requirement. See Figure 4. 								
	<ol style="list-style-type: none"> Install a protective cover over the vehicle roof to ensure no roof damage is possible during installation. 								
<p>Figure 5</p> 	<ol style="list-style-type: none"> Temporarily locate the lightbar in its desired mounting position and mark the holes in the channel for drilling. To assist, the steel backing plate can be used as a jig for correctly marking the hole centres. See Figure 5. <p>NOTE: For some roof racks, there is an opening in the channel for bolt head clearance. Installing in this opening will avoid modifying the roof racks for bolt head clearance.</p>								
	<ol style="list-style-type: none"> Using the 8.5mm drill bit, drill the four marked holes in the roof rack. Deburr holes. If drilling through steel, treat raw edge of holes with rust preventative paint. 								
<p>Figure 6</p> 	<ol style="list-style-type: none"> Install the steel backing plate into the roof rack channel and insert the M8 bolts and washers. See Figure 6. Lift the lightbar with mounting kit under the roof racks and through the M8 bolts. Install the M8 nyloc nuts with washers leaving the fasteners loose for ease of adjustment. See Figure 6. 								
<p>Table 1</p> <table border="1" data-bbox="124 1899 751 2101"> <tr> <td>M6 NYLOC – BOLT SQUARE</td> <td>9 Nm / 80 Lb-In</td> </tr> <tr> <td>M6 NYLOC – BOLT COACH</td> <td>6 Nm / 54 Lb-In</td> </tr> <tr> <td>M8 NYLOC – BOLT ALLEN</td> <td>22 Nm / 195 Lb-In</td> </tr> <tr> <td>M8 NYLOC – BOLT COACH</td> <td>16 Nm / 138 Lb-In</td> </tr> </table>	M6 NYLOC – BOLT SQUARE	9 Nm / 80 Lb-In	M6 NYLOC – BOLT COACH	6 Nm / 54 Lb-In	M8 NYLOC – BOLT ALLEN	22 Nm / 195 Lb-In	M8 NYLOC – BOLT COACH	16 Nm / 138 Lb-In	<ol style="list-style-type: none"> Adjust the angle and position of the lightbar, ensure the requirements from Step 1 & 4 are met. While holding in the desired position, tighten all fasteners to the torque settings as per Table 1.
M6 NYLOC – BOLT SQUARE	9 Nm / 80 Lb-In								
M6 NYLOC – BOLT COACH	6 Nm / 54 Lb-In								
M8 NYLOC – BOLT ALLEN	22 Nm / 195 Lb-In								
M8 NYLOC – BOLT COACH	16 Nm / 138 Lb-In								