

# ARB BASE RACK

## FITTING INSTRUCTION

Part Number: 1780220 & 1780230

Product Description: BASE RACK T-Slot adapter (Single & Pair)

### WARNING

- ◆ The ARB BASE RACK system has a maximum capacity of 25kg per cross slat. Exceeding this limit may result in damage or failure
- ◆ This product must be installed exactly as per these instructions using only the hardware supplied
- ◆ Do not use this product for any product, other than those specified by ARB
- ◆ This product or its fixing must not be modified in any way
- ◆ These instructions are correct as at the publication date
- ◆ During installation, it is the duty of the installer to check correct operation/clearances of all components
- ◆ Work safely at all times
- ◆ Unless otherwise instructed, tighten fasteners to specified torque
- ◆ Fastener torques are to be checked at regular intervals

## ARB 4x4 ACCESSORIES

Corporate Head Office

[www.arb.com.au](http://www.arb.com.au)

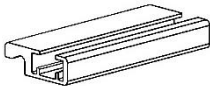

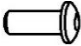

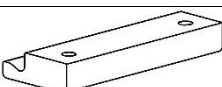
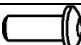
42-44 Garden St  
Kilsyth, Victoria  
AUSTRALIA 3137

Tel: +61 (3) 9761 6622  
Fax: +61 (3) 9761 6807

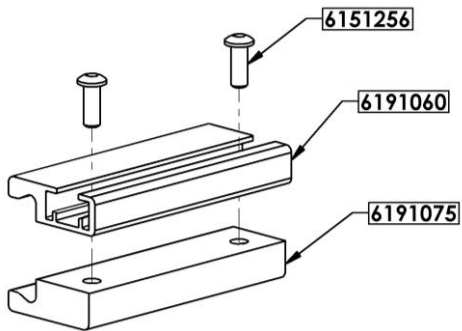
Australian enquiries  
North & South American enquiries  
Other international enquiries

[sales@arb.com.au](mailto:sales@arb.com.au)  
[sales@arb.com.au](mailto:sales@arb.com.au)  
[exports@arb.com.au](mailto:exports@arb.com.au)

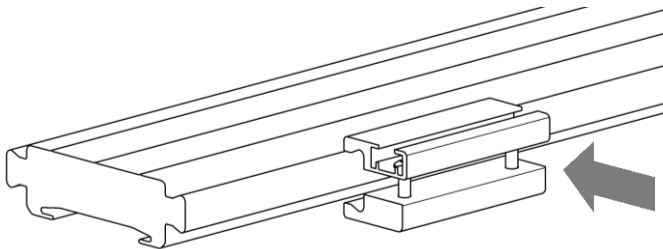
### PARTS LISTING

KIT NUMBER	APPLICATION.	PART NO.	QTY	DESCRIPTION
1780220		6191060	1	EXTRUSION T-SLOT ADAPTER 100MM
		6191075	1	EXTRUSION BASE ADAPTER M6
		6151256	2	SCREW BHD M6x16 SS
1780230		6191060	2	EXTRUSION T-SLOT ADAPTER 100MM
		6191075	2	EXTRUSION BASE ADAPTER M6
		6151256	4	SCREW BHD M6x16 SS

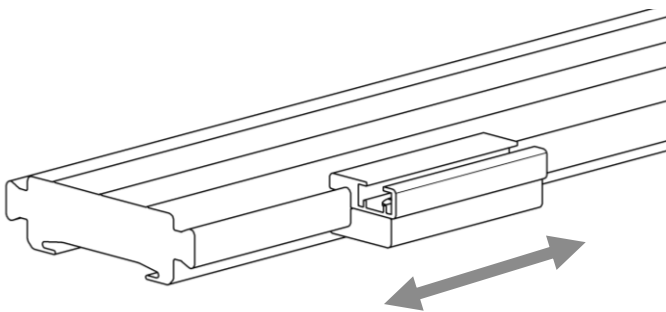
## FITTING PROCEDURE



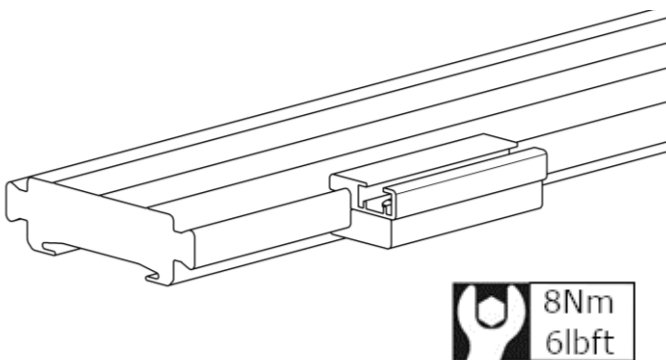
1. Assemble as shown



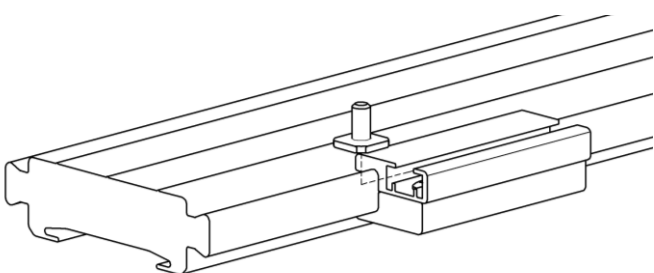
2. Loosen the M6 screws and slide over the BASE RACK dovetail



3. Slide to desired location



4. Tighten screws to specified torque



5. Install accessory as per manufacture's instruction

**Note: T-bolt shown for illustration purpose only**