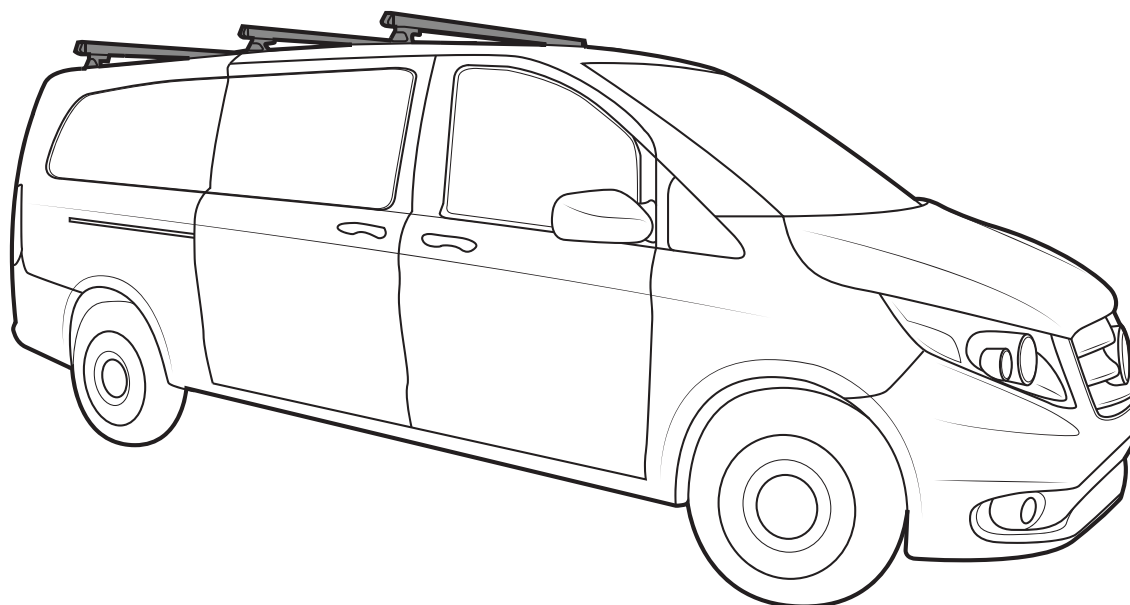




# RHINO-RACK

## RLT600 Crossbar System MERCEDES-BENZ Vito & Metris

**Important:** Please read these instructions carefully prior to installation.  
Check the contents of this kit before commencing fitment and report any discrepancies.  
Place these instructions in the vehicle's glove box after installation is complete.



### Important Information

**Maximum carrying capacity: 100kg/220lbs evenly distributed over all crossbars.**

**Please refer to your vehicle manufacturers handbook for maximum carrying capacity of your roof racks.** Always use the lower of the two figures. Load must be evenly distributed over the crossbars. Maximum permissible load is 100kg/220lbs (including the weight of the crossbars, 5kg/11lbs). When roof racks are to be used in off-road conditions, please build a safety factor of 1.5 into this load limit, 66kg/145lbs for off-road conditions. Although the roof racks are tested and approved to AS1235-2000, road conditions can be much more rigorous. However, increasing the number of crossbars does not increase the vehicles maximum permissible roof loading.

Do not attempt to fit the crossbars to your vehicle unless you fully understand these fitting instructions. Please direct any questions regarding fitting to the dealer from where the kit was purchased. **Use only non-stretch fastening ropes or straps.**

**Recommendations:** It is essential that all bolt connections be checked after driving a short distance when you first install your roof racks. Bolt connections should be checked again at regular intervals (once a fortnight is enough, depending on road conditions, usage, loads and distances travelled). You should also check the roof racks each time they are re-fitted. Always make sure to fasten your load securely. Please ensure that all loads are evenly distributed and that the centre of gravity is kept as low as possible. Long loads (e.g. canoes and kayaks) must be secured front and rear with non-stretch fastening ropes or straps.

**Roof racks must be removed when putting vehicle through an automatic car wash.**

**Caution:** The handling characteristics of the vehicle changes when you transport a load on the roof. For safety reasons we recommend you exercise extreme care when transporting wind-resistant loads. Special consideration must be taken into account when cornering and braking.

**Note for Dealers and Fitters:**

It is your responsibility to ensure these fitting instructions are given to the end user or client.

Rhino-Rack Australia Pty Ltd  
3 Pike Street, Rydalmere,  
NSW 2116, Australia.  
(Ph) (02) 8846 1900  
(Fax) (02) 9638 4822  
<http://www.rhinorack.com.au>

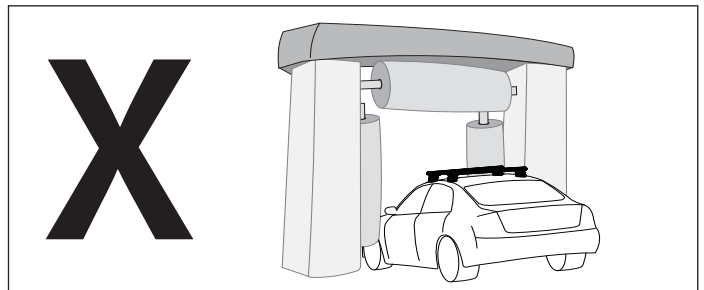
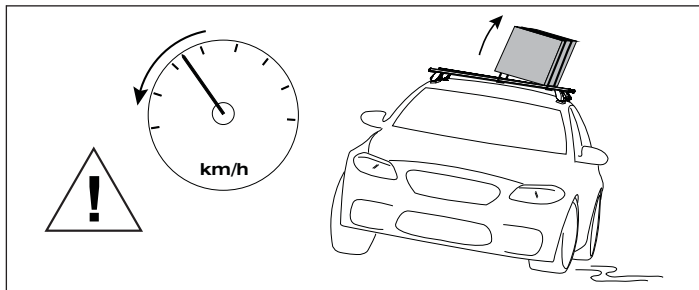
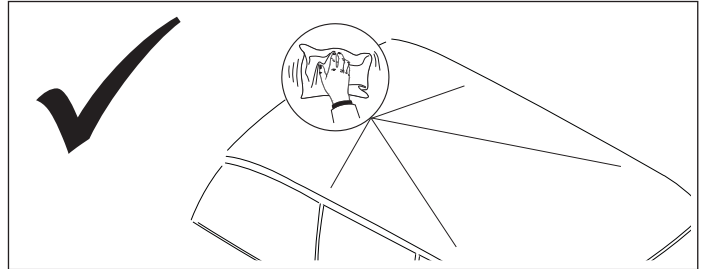
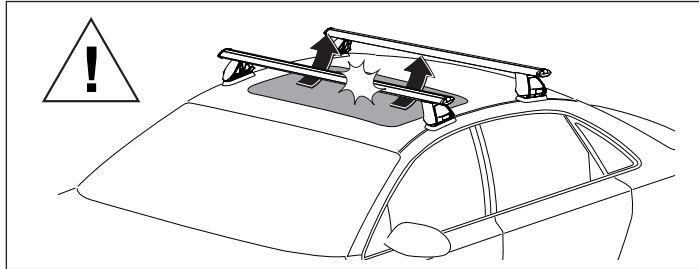
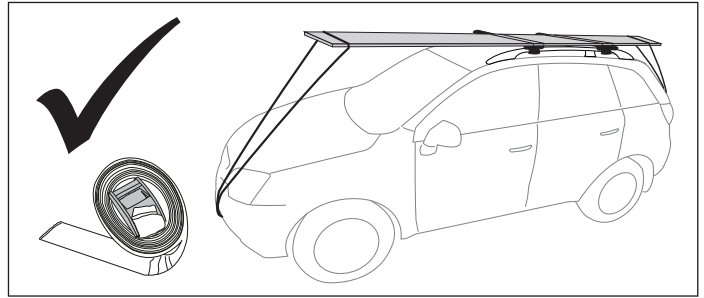
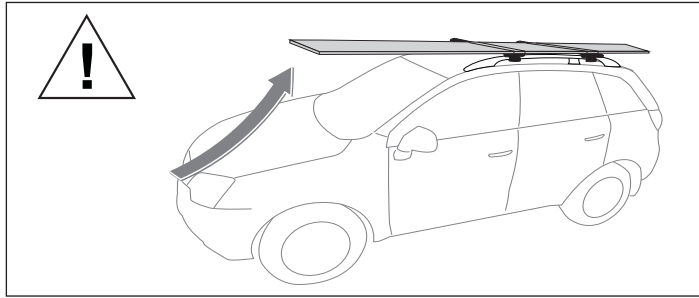
Document No: R813  
Prepared By: Kayle Everett  
Authorised By: Chris Murty

Issue No: 02  
Issue Date: 4/08/2016

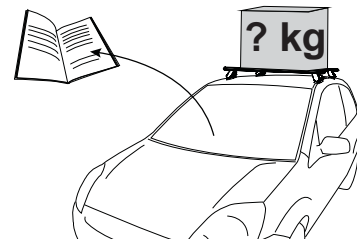
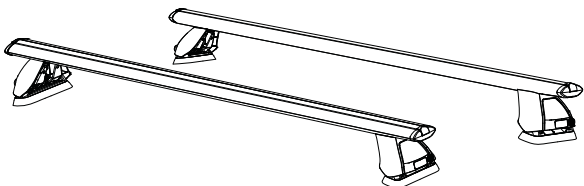
These instructions remain the property of Rhino-Rack Australia Pty Ltd and may not be used or changed for any other purpose than intended.



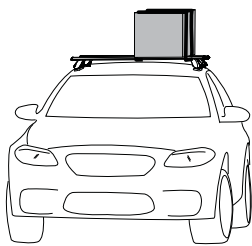
# RLT600 Crossbar System MERCEDES-BENZ Vito & Metris



**2 x Crossbars = 5.0kg/11lbs**



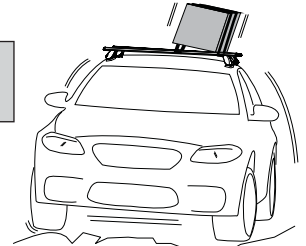
When these roof racks are to be used on a vehicle that is driven off sealed roads, the manufacturer maximum roof load rating (to be found in the vehicles User Manual) should be **divided by 1.5**. Do not forget to subtract the complete crossbar system weight from your maximum carrying capacity.



**100kg/220lbs**  
(Urban Road)

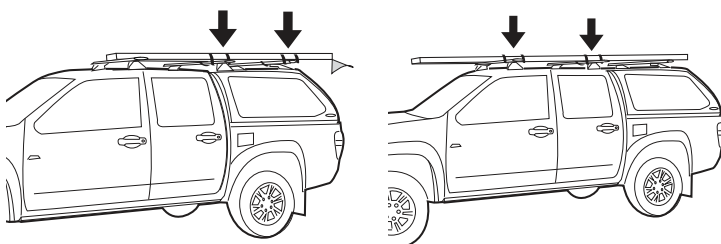
=

**66kg/145lbs**  
(Off Road)

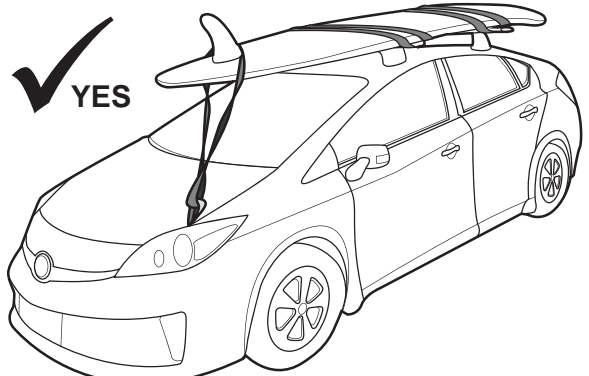


## **WARNING! Important Load Carrying Instructions**

With utility vehicles, the cabin and the canopy move independently. Roof racks and vehicle can be damaged if the item transported is rigidly fixed at points on both the cabin and canopy. Instead, rigidly fix to either the cabin roof racks or the canopy roof racks.



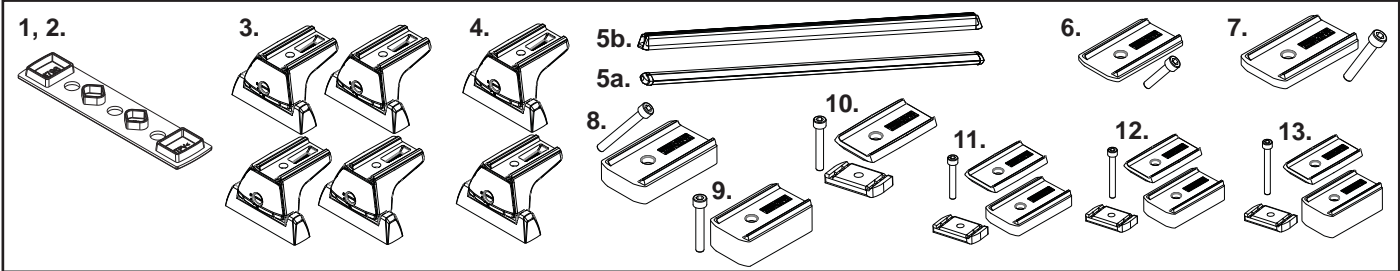
Paddle/ Surfboards should be fixed to the front of the vehicle.





# RLT600 Crossbar System MERCEDES-BENZ Vito & Metris

## Parts List



		SWB Low Roof		LWB Low Roof		
Item	VORTEX Crossbars	Qty 2 Bar	Qty 3 Bar	Qty 2 Bar	Qty 3 Bar	Part No.
1	Quick Mount Fit Kit (6 bases)	-	1	-	1	QMFK05
2	Quick Mount Fit Kit (4 bases)	1	-	1	-	QMFK06
3	Leg Kit	1	1	1	1	RLT600
4	Leg Kit Half	-	1	-	1	RLT600H
5a	Vortex Crossbars	2	3	2	3	VA150B or VA150S
6	Quick Mount 5mm VA Spacer	-	-	-	1	QMVA05
7	Quick Mount 10mm VA Spacer	-	-	-	1	QMVA10
8	Quick Mount 15mm VA Spacer	-	1	-	-	QMVA15
9	Quick Mount 25mm VA Spacer	-	1	-	1	QMVA25
14	Fitting Instruction	1	1	1	1	R813
Item	HEAVY DUTY Crossbars	Qty 2 Bar	Qty 3 Bar	Qty 2 Bar	Qty 3 Bar	Part No.
1	Quick Mount Fit Kit (6 bases)	-	1	-	1	QMFK05
2	Quick Mount Fit Kit (4 bases)	1	-	1	-	QMFK06
3	Leg Kit	1	1	1	1	RLT600
4	Leg Kit Half	-	1	-	1	RLT600H
5b	Heavy Duty Bars	2	3	2	3	RB1500B or RB1500S
6	Quick Mount 5mm VA Spacer	-	-	-	1	QMVA05
10	Quick Mount 5mm HD Spacer	2	1	2	1	QMHD05
11	Quick Mount 15mm HD Spacer	-	-	-	1	QMHD15
12	Quick Mount 20mm HD Spacer	-	1	-	-	QMHD20
13	Quick Mount 30mm HD Spacer	-	1	-	1	QMHD30
14	Fitting Instruction	1	1	1	1	R813

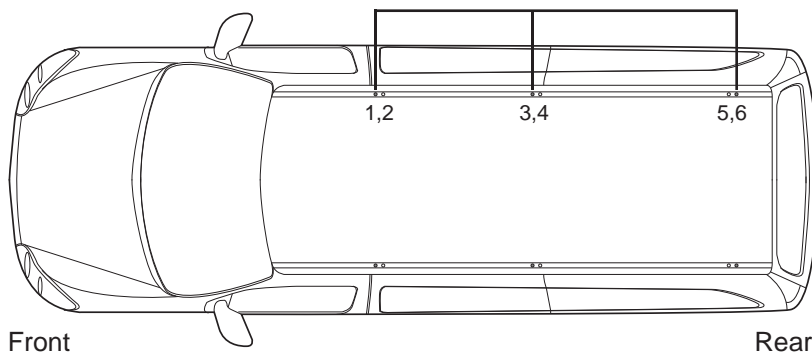
**Tools required:** - Cleaning Cloth  
 - Tape measure  
 - Flat Blade Screwdriver  
 - Scissors/knife  
 - 5mm Security Torque Key (included)

**Note:** All kits are sold as separate. Ensure you have the required kits to complete your fitment.

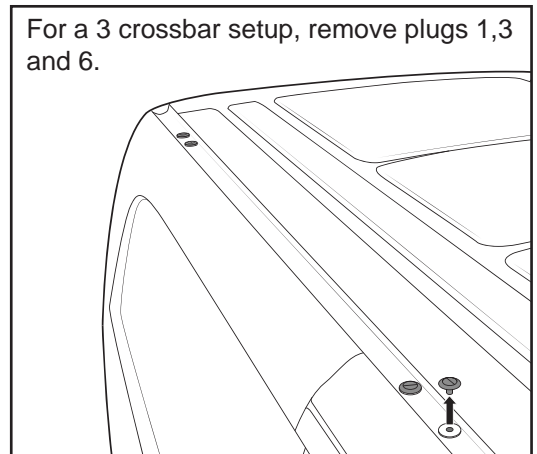
**1** On the vehicles roof, remove the plastic plugs covering the mounting points intended for use. A flat blade screwdriver may be required. For 3 crossbars, use the points illustrated below.

Top View:

3 Crossbars



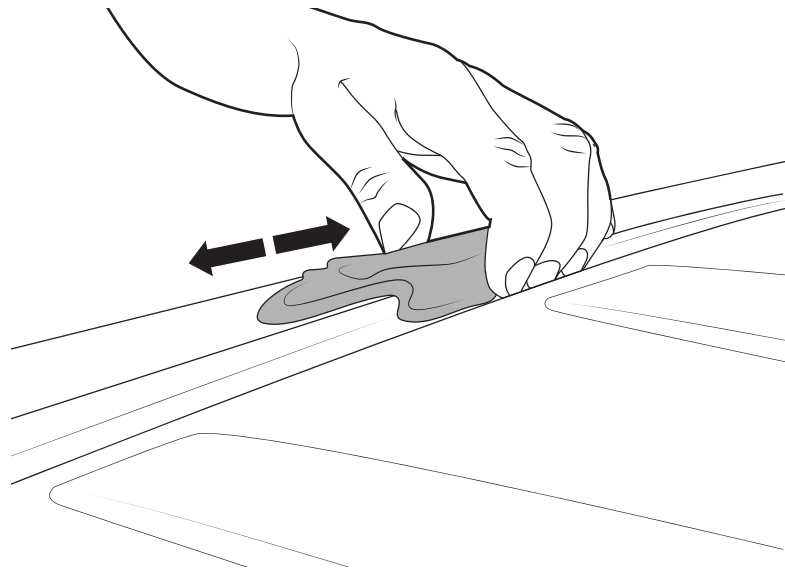
For a 3 crossbar setup, remove plugs 1,3 and 6.



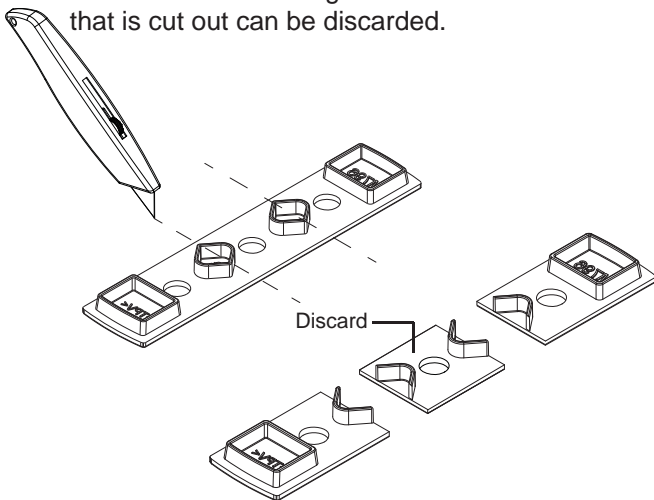


## RLT600 Crossbar System MERCEDES-BENZ Vito & Metris

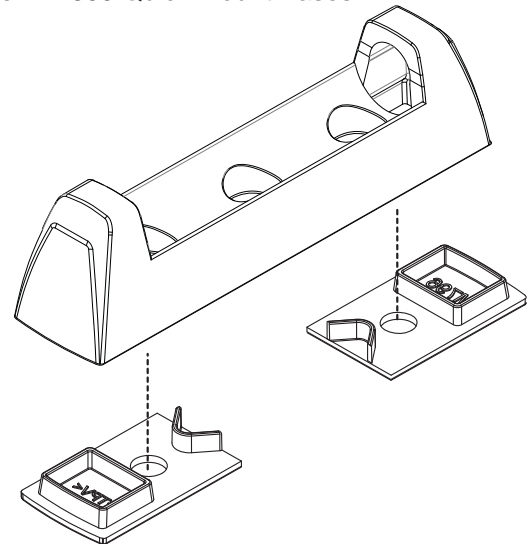
- 2** Clean all dirt and debris out of roof ditch with a clean cloth.



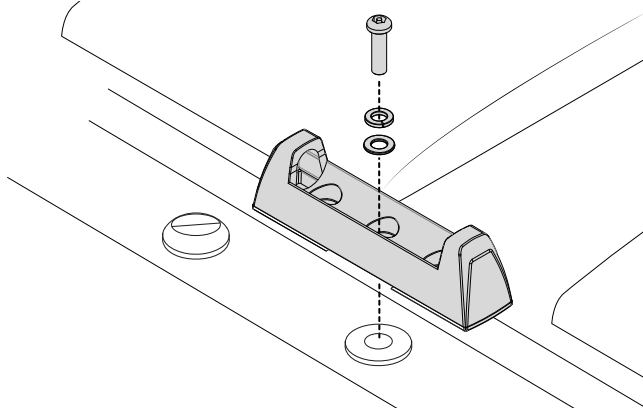
- 3** Prepare the RLT600 Flat Bases for installation by carefully cutting as shown. Cut through the centre of the diamonds as a guide. The middle section that is cut out can be discarded.



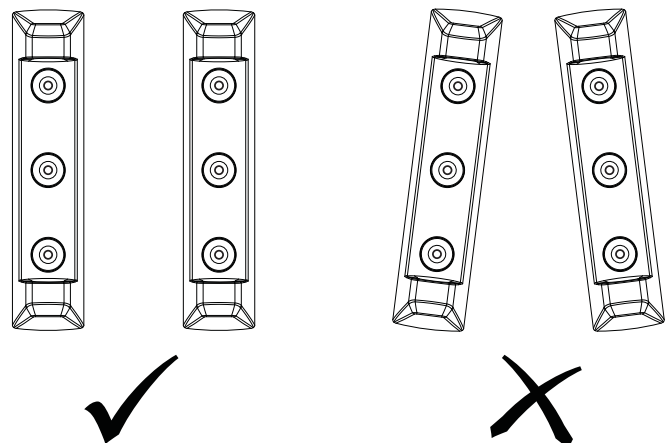
- 4** Fit the Rubber Bases from the QMFK05/06 kit to the RLT600 Quick Mount Bases.



- 5** Line up the centre hole of the Quick Mount base with the thread in the roof. Use the M6 x 16mm Security Screw, M6 Spring and M6 Flat Washers to fix the Base in position. Tighten the Screws with the 5mm Security Torque Key provided in the RLT600 Kit. 3-4 Nm.



- 6** Be sure Brackets are parallel across the vehicle. This is required to correctly fit the legs and crossbars.





# RLT600 Crossbar System MERCEDES-BENZ Vito & Metris

## 7 SWB Low Roof.

Crossbar spacer arrangement for 3 bar Vortex and Heavy Duty Systems.

### Vortex Crossbars

QMVA15

N/A

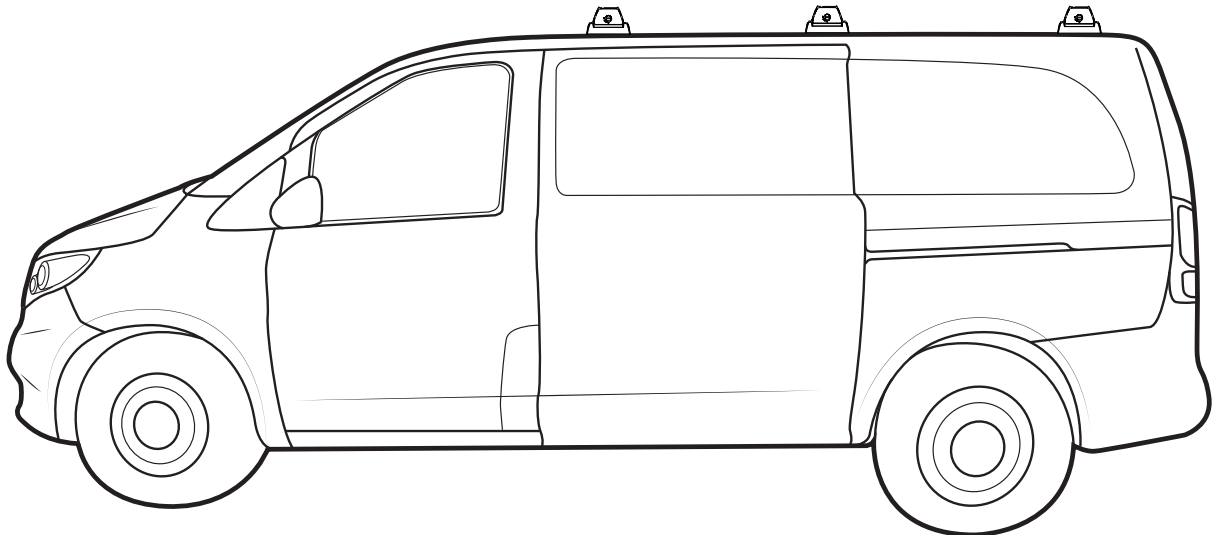
QMVA25

### Heavy Duty Crossbars

QMHD20

QMHD05

QMHD30



## 8 LWB Low Roof.

Crossbar spacer arrangement for 3 bar Vortex and Heavy Duty Systems.

### Vortex Crossbars

QMVA10

N/A

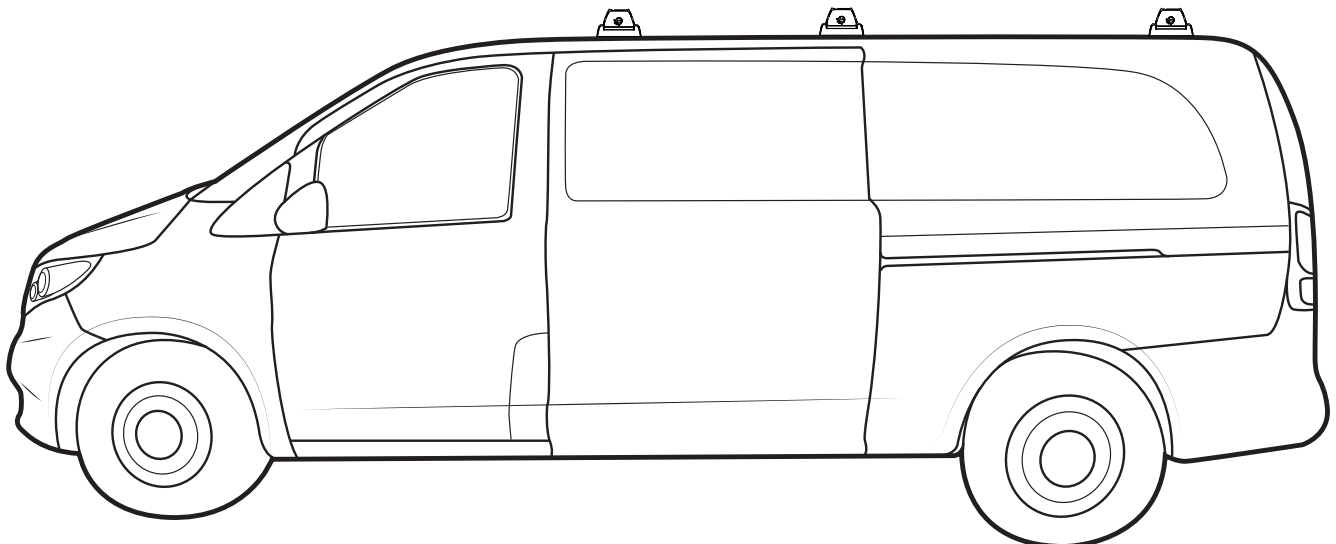
QMVA05  
QMVA25

### Heavy Duty Crossbars

QMHD15

QMHD05

QMHD30  
QMVA05



## 9 Fit RLT600 legs as per instructions. Check all fixtures are secure before use.

