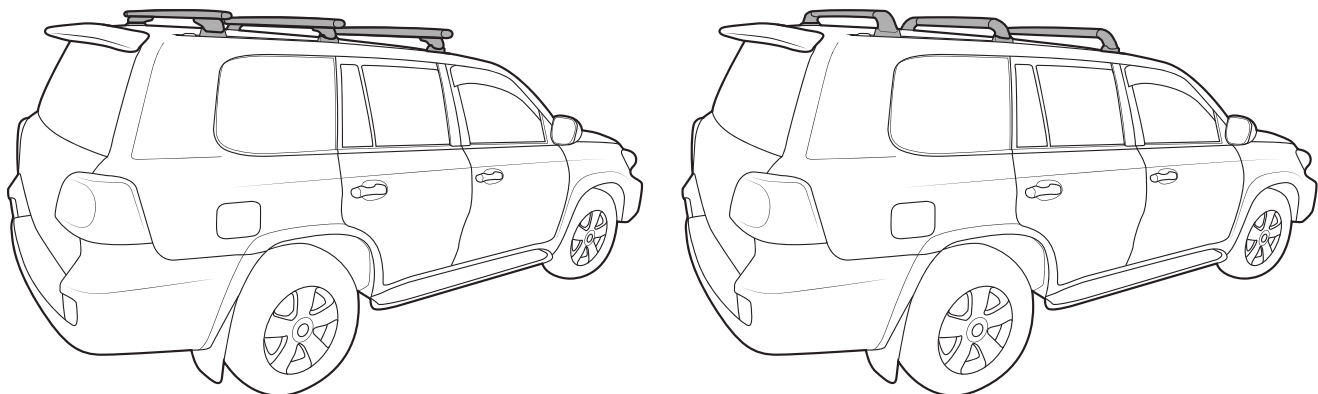


RHINO-RACK

RCP17-BK - Rhino-Rack Crossbar System Toyota Land Cruiser 200 Series

Important: Please read these instructions carefully prior to installation.
Please refer to your fitting instruction to ensure that the roof racks are installed in the correct locations.
Check the contents of this kit before commencing fitment and report any discrepancies.
Place these instructions in the vehicle's glove box after installation is complete.



Note: Crossbars and legs sold as separate.

Maximum roof load: 150kg

1. Check Part No./Kit is correct
2. Read through instruction before installing
3. Fit roof rack accessory
4. Check and recheck all fasteners are secure

Note: Be sure to check the Rhino-Rack website to see if you have the latest version of instructions before beginning installation.

Refer to vehicle manufacturers handbook for maximum roof loading. Always use lower of the two figures.

Three crossbars = 150kg (330lbs)

Two crossbars = 100kg (220lbs)

One crossbar = 50kg (110lbs)

Recommendations:

It is essential that all bolt connections be checked after driving a short distance when you first install your crossbars. Bolt connections should be checked again at regular intervals (probably once a week is enough, depending on road conditions, usage, loads and distances travelled). You should also check the crossbars each time they are refitted. Make sure to fasten your load securely. Please ensure that all loads are evenly distributed and that the centre of gravity is kept as low as possible.

Crossbars must be removed when putting vehicle through an automatic car wash.

Carrying Loads: Use only non-stretch fastening ropes or straps to secure your load.

Caution: The handling characteristics of the vehicle change when you transport a load on the roof. For safety reasons we recommend you exercise extreme care when transporting wind-resistant loads. Special consideration must be taken into account when cornering and braking.

Load Ratings:

Maximum permissible load is; 150kg (330lbs) for three crossbars, 100kg (220lbs) for two crossbars, 50kg (110lbs) for one crossbar including the weight of the crossbars, 7.5kg (16.5lbs) three crossbars, 5kg (11lbs) two crossbars, 2.5kg (5.5lbs) one crossbar. When crossbars are to be used in off-road conditions, please build a safety factor of 1.5 into this load limit for off-road use, three crossbars = **100kg (220lbs)**, two crossbars = **66kg (145lbs)**, one crossbar = **33kg (72lbs)**. Although the crossbars are tested and approved to AS1235-2000, off-road conditions can be much more rigorous. However, increasing the number of crossbars does not increase the vehicles maximum permissible roof loading.

Note for Dealers and Fitters:

It is your responsibility to ensure instructions are given to the end user or client.

Rhino-Rack
3 Pike Street, Rydalmere,
NSW 2116, Australia.
(Ph) (02) 9638 4744
(Fax) (02) 9638 4822

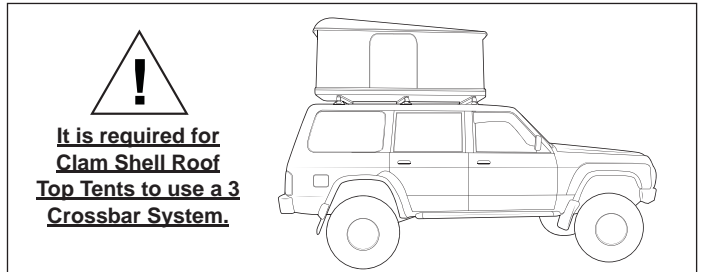
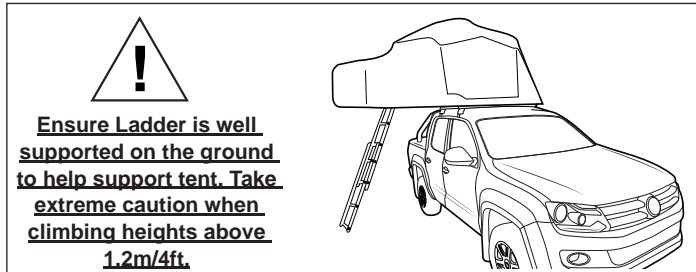
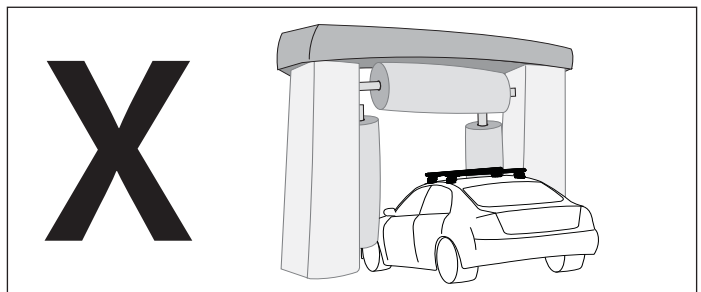
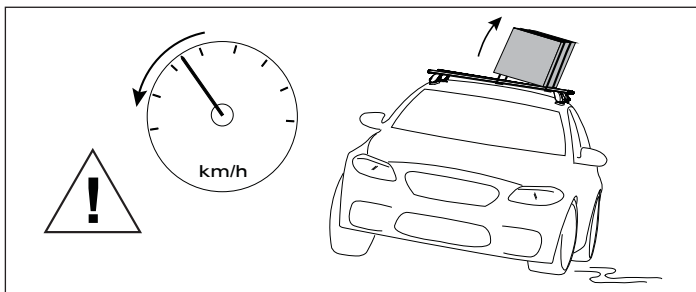
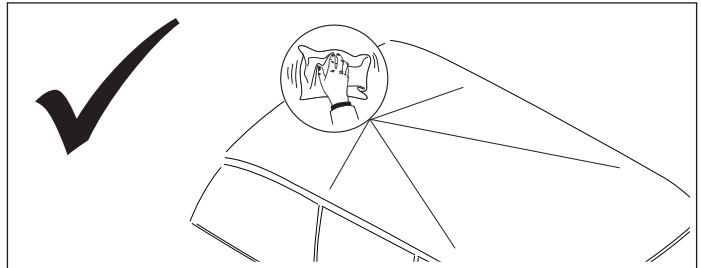
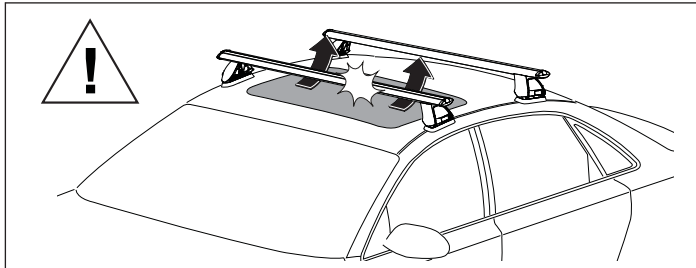
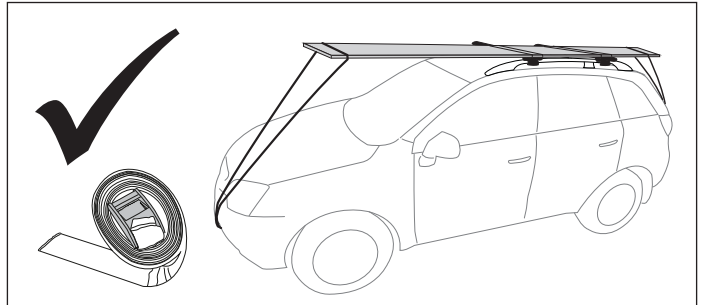
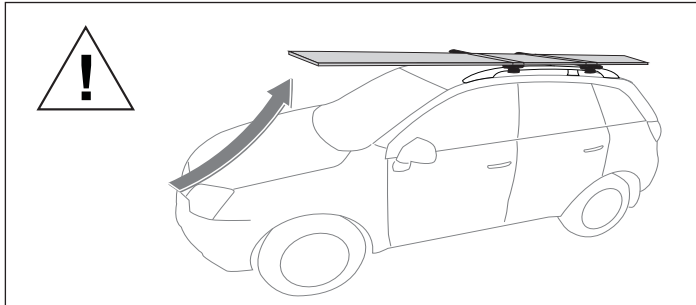
Document No: R1288
Prepared By: Kayle Everett
Authorised By: Chris Murty

Fit Time: 15min
Issue No: 02
Issue Date: 06/09/2017

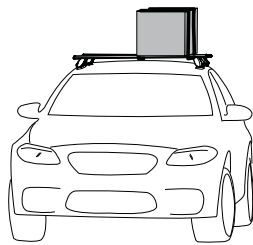
These instructions remain the property of Rhino-Rack Australia Pty. Ltd. and may not be used or changed for any other purpose than intended.



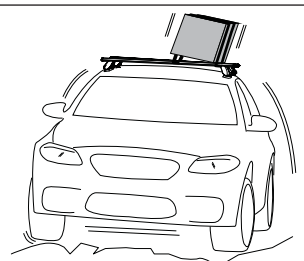
RCP17-BK - Toyota Land Cruiser 200



When these roof racks are to be used on a vehicle that is driven off sealed roads the maximum load rating must be divided by 1.5. Remember to subtract the weight of the roof racks to determine your maximum permissible load capacity.



3 bars 150kg (330lbs) load rating (Urban road)	=	3 bars 100kg (220lbs) load rating (Off road)
2 bars 100kg (220lbs) load		2 bars 66kg (145lbs) load
Load rating not taking into account crossbar weight - 5kg		



WARNING! Important Load Carrying Instructions

With utility vehicles, the cabin and the canopy move independently. Roof racks and vehicle can be damaged if the item transported is rigidly fixed at points on both the cabin and canopy. Instead, rigidly fix to either the cabin roof racks or the canopy roof racks.

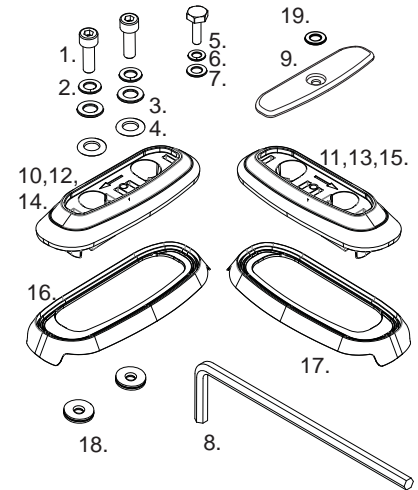
Paddle/ Surfboards should be fixed to the front of the vehicle.



RCP17-BK - Toyota Land Cruiser 200

Parts List

Item	Component Name	F	M	R	3 Bar	Part No.
1	M8 x 40mm Socket Head Screw	4	4	4	12	B162
2	M8 Spring Washer	4	4	4	12	W043
3	M8 Flat Washer	4	4	4	12	W019
4	Mounting Pad O Ring	4	4	4	12	C299
5	M6 x 30mm Hex Setscrew	2	2	2	6	B202
6	M6 Spring Washer	2	2	2	6	W004
7	M6 x 16mm Flat Washer	2	2	2	6	W031
8	6mm Allen Key	1	1	1	1	H009
9	Pad Cover Plate	2	2	2	6	M126
10	Front Right Mounting Pad	1	-	-	1	M355
11	Front Left Mounting Pad	1	-	-	1	M354
12	Middle Right Mounting Pad	-	1	-	1	M357
13	Middle Left Mounting Pad	-	1	-	1	M356
14	Rear Right Mounting Pad	-	-	1	1	M359
15	Rear Left Mounting Pad	-	-	1	1	M358
16	Mounting Pad Gasket Right	1	1	1	3	M361
17	Mounting Pad Gasket Left	1	1	1	3	M360
18	Mounting Pad Washer	4	4	4	12	C588
19	M6 Washer (used on cover plate)	2	2	2	6	W003
20	Instructions	1	1	1	1	R1288

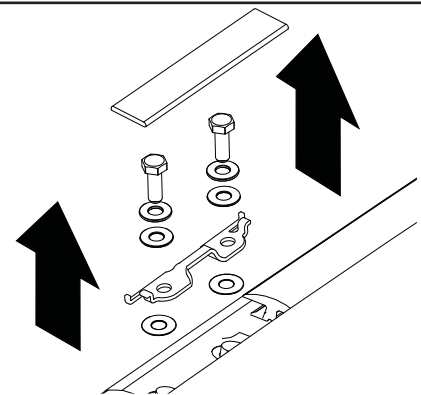


Tools Required: Allen key (provided). Flat blade screwdriver. 10mm socket wrench

Instructions

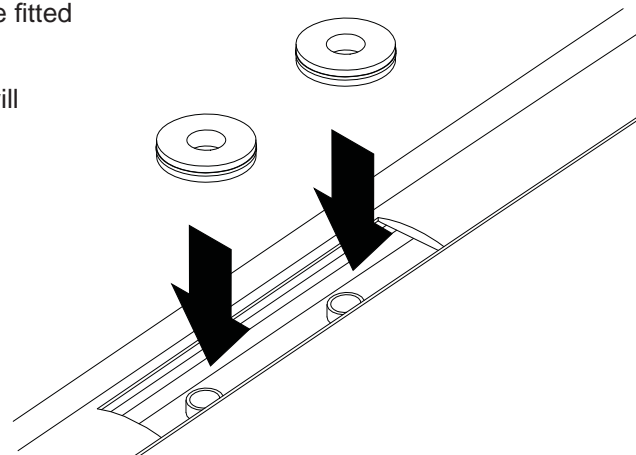
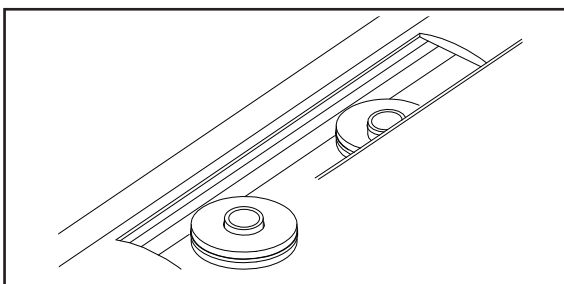
- 1** Remove the roof trim covers with a flat blade screwdriver carefully. Remove all brackets, bolts and washers using a 13mm socket. Store the covers and attachment hardware for future use if needed.

NOTE: The existing bolts and washers are not used to fit the roof rack mounting pads.



- 2** Place the foam covered mounting pad washers (item 20) over the plastic tubes in the roof channel. Make sure they are fitted neatly around the plastic tubes.

NOTE: Failure to fit the foam covered copper washers will result in water leaks.





RCP17-BK - Toyota Land Cruiser 200

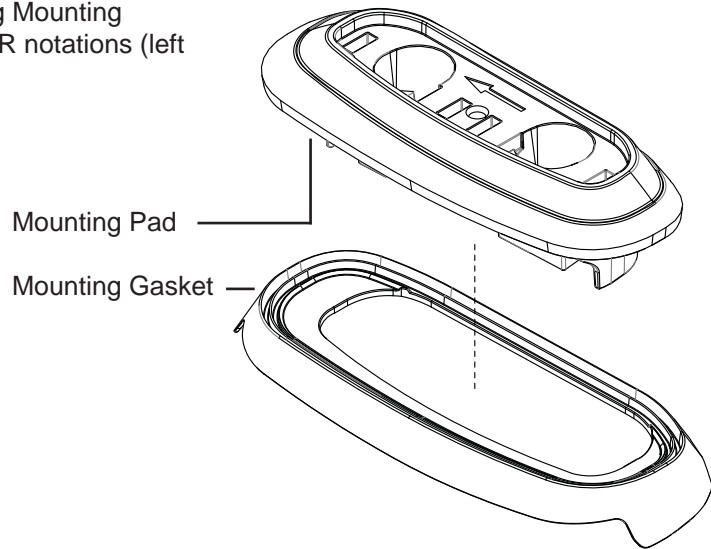
- 3** Place each Mounting Pad into a corresponding Mounting Gasket. The Gaskets are identified with L and R notations (left and right).

Right Side:

Front M355
 Middle M357 R GASKET
 Rear M359

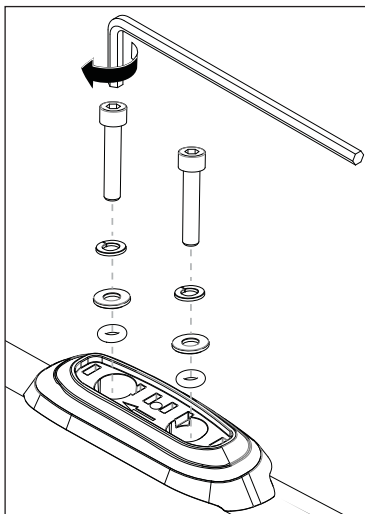
Left Side:

Front M354
 Middle M356 L GASKET
 Rear M358

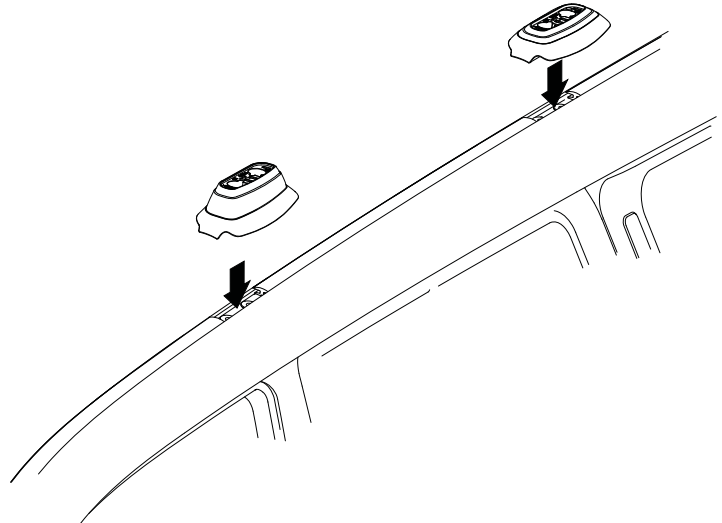
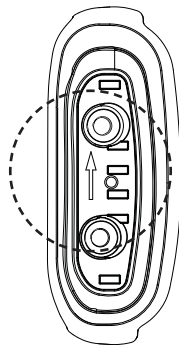


- 4** Place each pad into its position as stated in the previous step. Check to make sure the rubber skirt does NOT fold or twist when placed on the roof. It must flare out over surface of the roof.

Assemble M8 x 40mm bolt, washers and O-ring in the order shown. Push the O-ring up against the washers before locating into mounting pad. Finger tighten each pad first to ensure all parts are seated correctly.

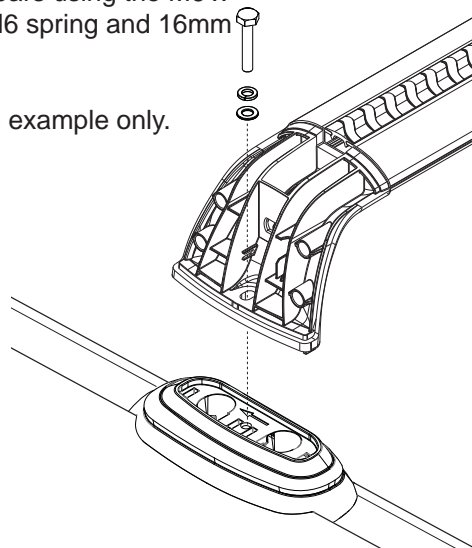


Note: Arrows on Pads face forward.



- 5** Install assembled crossbars using the M6 x 30mm hex setscrews, M6 spring and 16mm flat washers.

Note: RVL leg shown as example only.



When crossbars are not in use, install the pad cover plates provided.

