



# RHINO-RACK

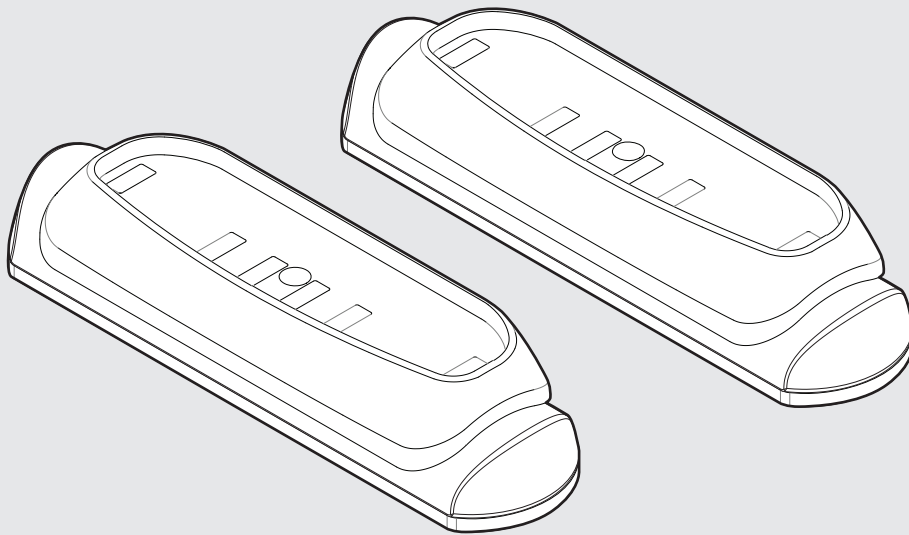
CONTROLLED

## BASE KIT - RCP68-BK

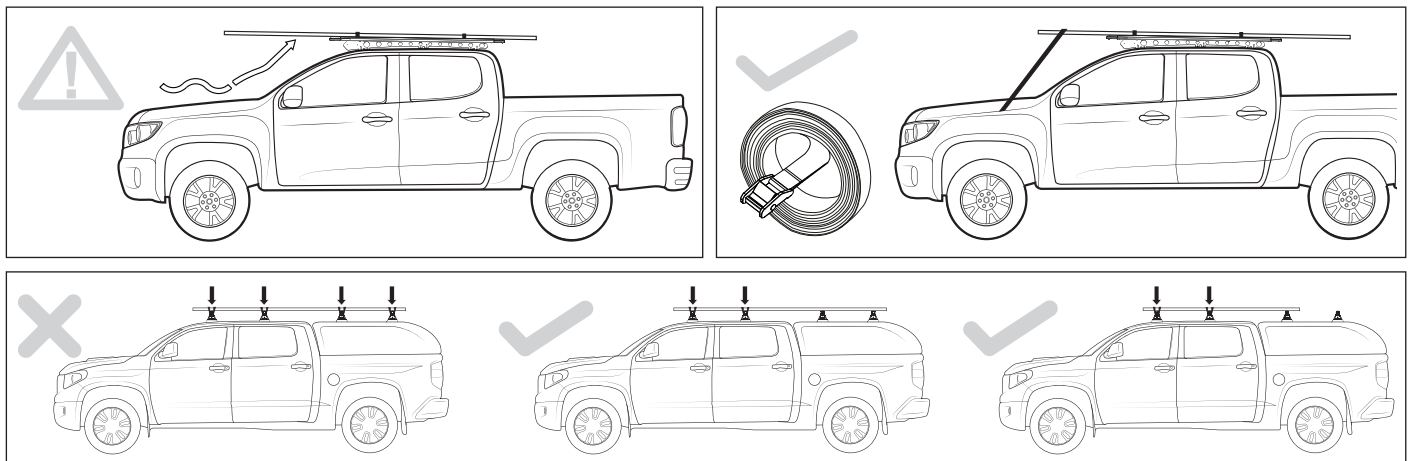
**Important:**

1. Check the Rhino-Rack website to ensure you have the latest issue of these instructions.
2. Please refer to your fitting instruction to ensure that the roof racks are installed in the correct locations.
3. Check the contents of kit before commencing fitment and report any discrepancies.
4. Place these instructions in the vehicle's glove box after installation is complete.
5. These instructions must be followed for warranty to be upheld.

**Fit Time:** 1 hour



## RCP68-BK Instructions



### Carrying Capacity

Check your vehicle owners hand book for vehicle maximum carrying capacity. Please ensure you use the vehicle manufactures maximum roof allowance if it is lower than the figure listed in this instruction.

Load must be evenly distributed over the system.

**Off Road:** Any driven path taken that does not contain a surface protection layer (tar/bitumen).

**Vehicle Load Limit:** Total permissible weight attached to the roof of the car. This is inclusive of the weight of the roof rack system.

**System Load Limit:** Total permissible weight allowed on top, and attached to roof racks whilst the vehicle is in motion.

**Static Allowance:** Total permissible weight allowed on top, and attached to roof racks whilst the vehicle is stationary.

VEHICLE ROOF LOAD LIMIT (VLL)	SYSTEM WEIGHT (SW)	SYSTEM LOAD LIMIT ON ROAD (SLL)	OFF ROAD CARGO ALLOWANCE (OR)
XXkg / XXlb (CHECK VEHICLE OWNERS HANDBOOK FOR SPECIFIC FIGURE).	5kg/11lbs	$(VLL) - (5kg/11lbs) = xxkg/xxlbs$	$(SLL)/1.5 = (OR)$

### Torque Settings

Unless stated otherwise in these instructions, all fasteners should be set to the following torque settings - M6: 4-5Nm (3-4lbs/ft), M8: 8-10Nm (6-7.5lbs/ft) and M10: 16-18Nm (12-13lbs/ft).

### Warning

- Check part number/ or kit is correct for use with your vehicle.
- Do not attempt to fit the rack system to your vehicle unless you fully understand these fitting instructions. Please direct any questions regarding fitting to the dealer from where the roof racks were purchased.
- Although the system is tested and approved to AS1235-2000 / ISO 11154, off-road conditions can be much more rigorous. Extreme care must be taken in off road conditions.
- Roof racks must be removed when vehicle is put through an automatic car wash.
- With utility vehicles, the cabin and the canopy move independently. Roofracks and vehicle can be damaged if the item transported is rigidly fixed at points on both the cabin and canopy. Instead, rigidly fix to either the cabin roof racks or the canopy roof racks.
- Always ensure you fasten your load securely.
- Use only non-stretch fastening ropes or straps to attach cargo to your load.
- Clean vehicle/ rails before fitting roof rack.

### In service maintenance checks

- All bolt connections should be checked after driving a short distance when you first install your roof racks.
- All bolted connections should be checked again at regular intervals (weekly is recommended, depending on road conditions, usage, loads and distances travelled).
- All bolted connections should be checked each time they are re-fitted.

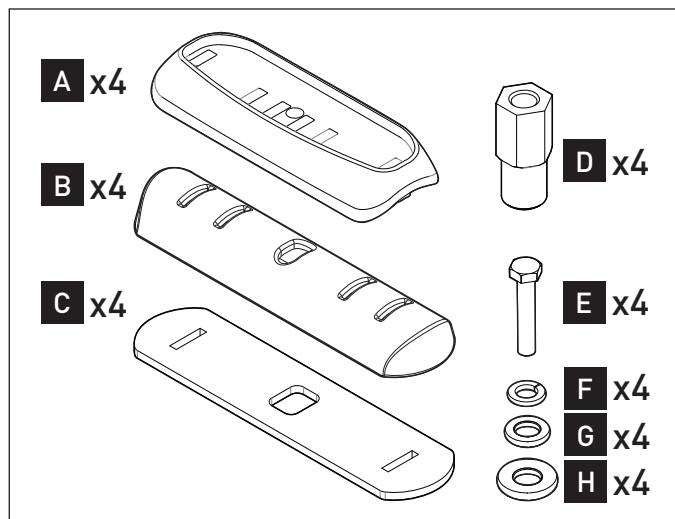
### Note for Dealers and Fitters

It is your responsibility to ensure these fitting instructions are given to the end user or client. These instructions remain the property of Rhino-Rack Australia Pty. Ltd. and may not be used or changed for any other purpose than intended.

# RCP68-BK Instructions

## Parts List

Item	Description	Qty
A	Top pad	4
B	Bottom pad	4
C	Base gasket	4
D	M6 adaptor	4
E	M6 x 45mm hex bolt	4
F	M6 spring washer	4
G	M6 flat washer	4
H	M8 flat washer	4
I	Instruction	1



### -Tools required:

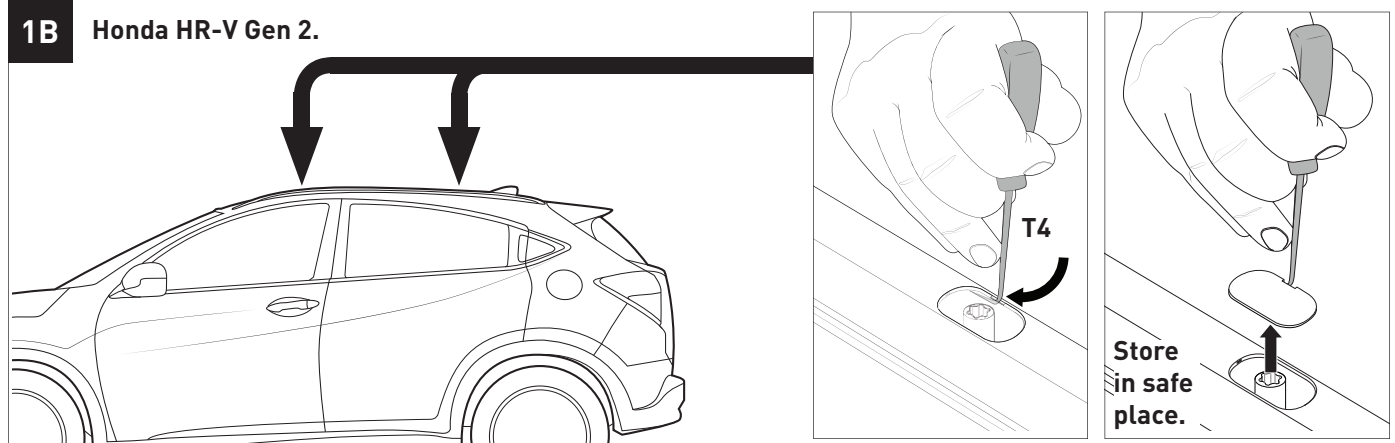
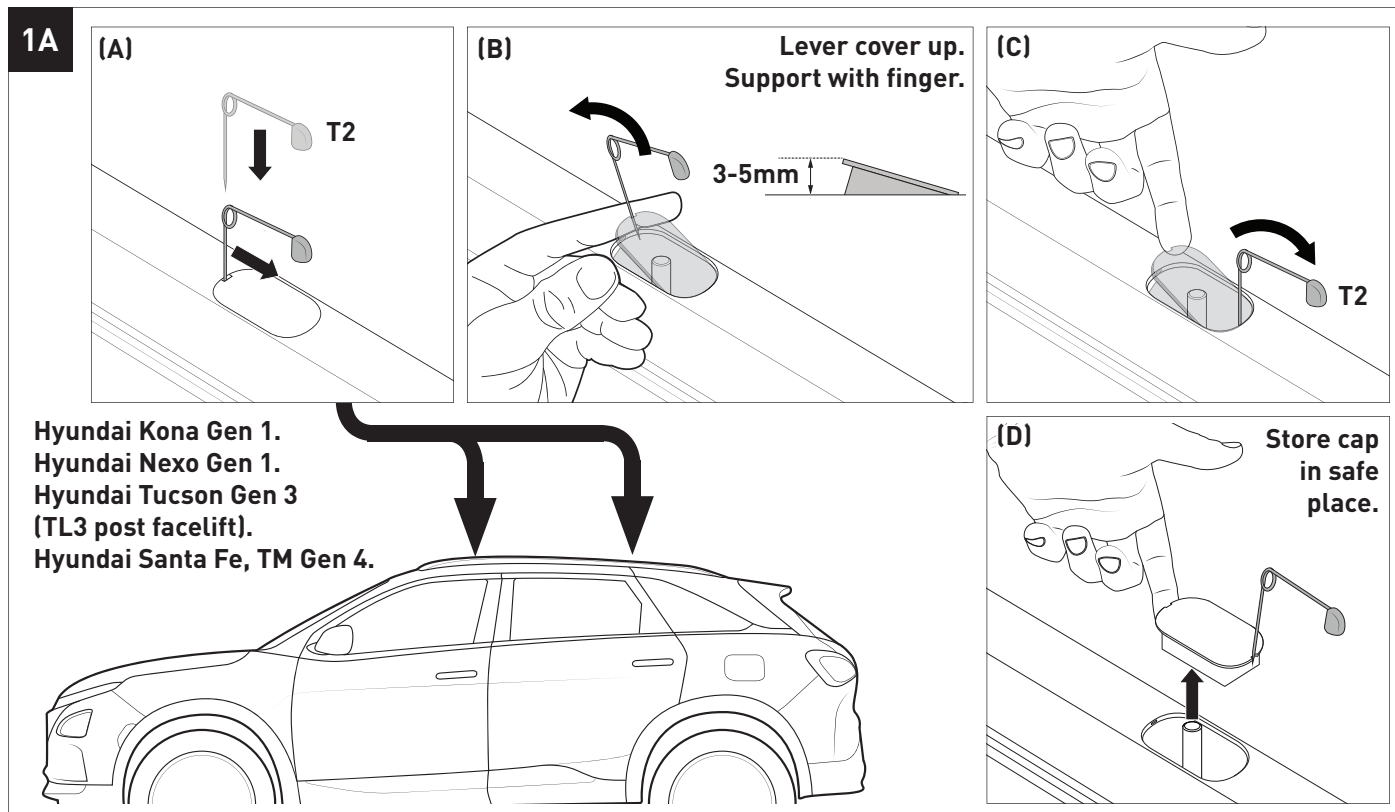
T1-10mm socket wrench and spanner.

T3 - T30 torx key (Honda HR-V only).

T2 - Safety pin.

T4 - 2mm right angle pick (Honda HR-V only).

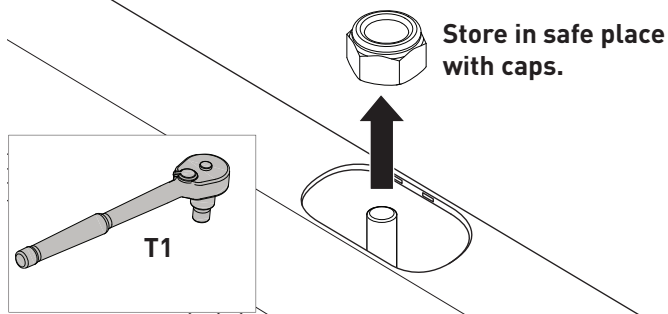
## Instruction steps



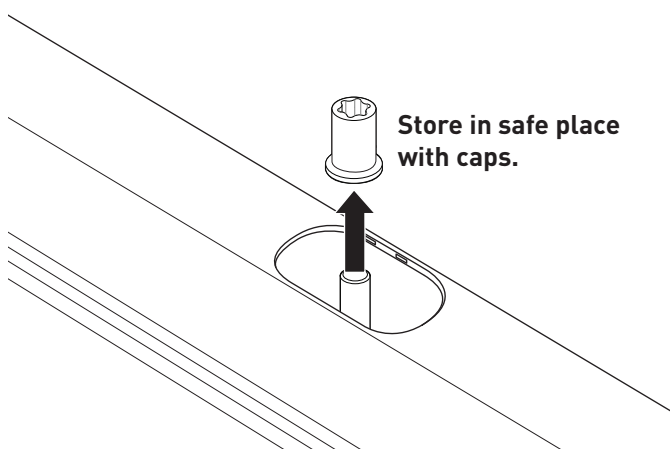
**2A Remove factory nut on:**

Hyundai Kona Gen 1.  
Hyundai Nexo Gen 1.

**Note: factory nut removal not required on:**  
Hyundai Tucson Gen 3 (TL3 post facelift).  
Hyundai Santa Fe, TM Gen 4.

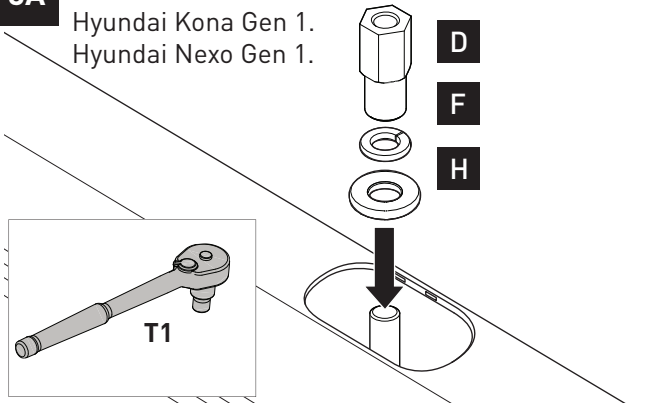


**2B Note:** Honda HR-V requires torx key (T3).



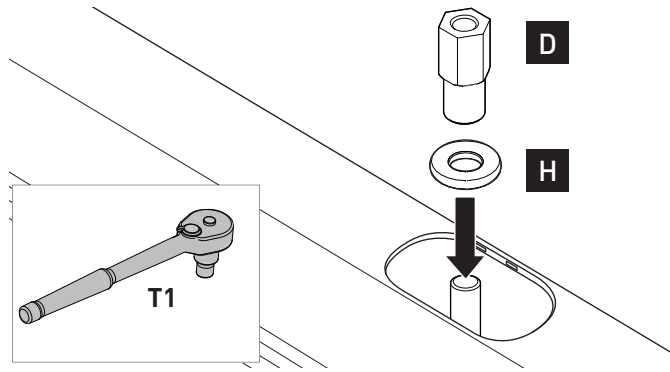
**3A Install hardware on:**

Hyundai Kona Gen 1.  
Hyundai Nexo Gen 1.



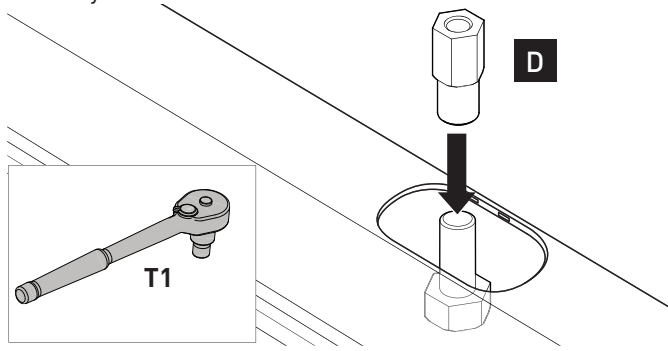
**3B Install hardware on:**

Honda HR-V Gen 2.

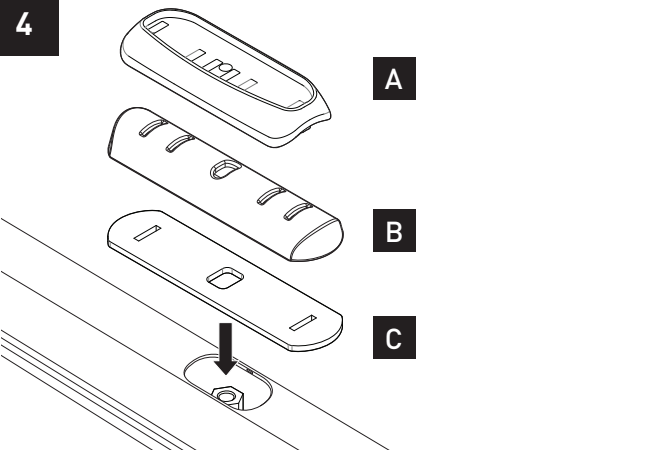


**3C Install hardware on:**

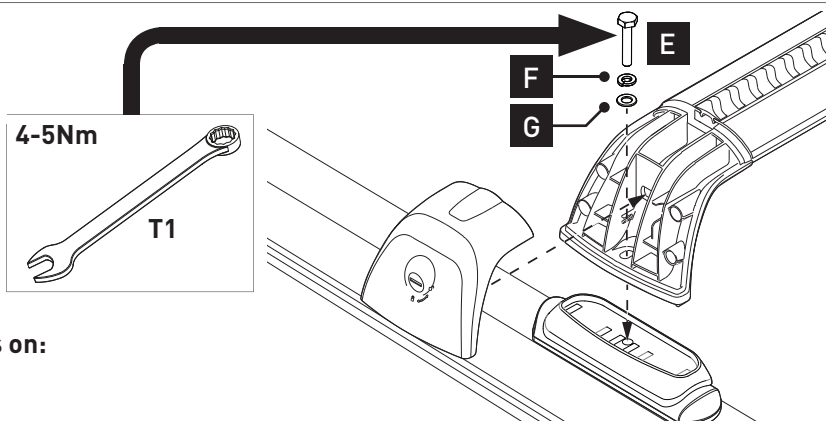
Hyundai Tucson Gen3 (TL3 post face lift).  
Hyundai Santa Fe TM Gen 4.



**4**

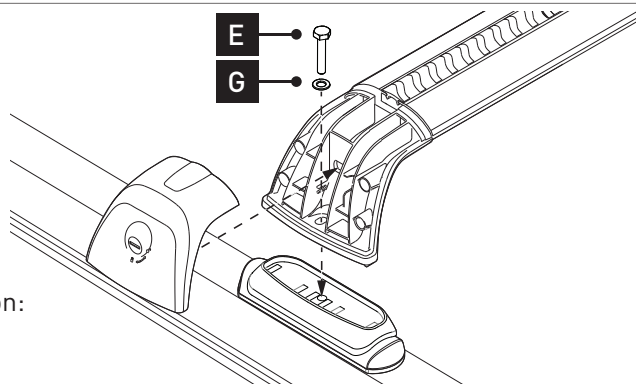


**5** Hyundai Tucson Gen 3 (TL3 post facelift).  
Hyundai Santa Fe, TM Gen 4.  
Honda HR-V Gen 2.



**Note: SUB0671 is required to level crossbars on:**  
Hyundai Tucson Gen 3 (TL3 post facelift).  
Refer page 5 'vehicle layouts'.

**6** Hyundai Kona Gen 1.  
Hyundai Nexo Gen 1.



Note: SUB0671 is required to level crossbars on:  
Hyundai Kona Gen 1.  
Hyunda Nexo Gen 1.

**Vehicle layouts**

