



RHINO-RACK

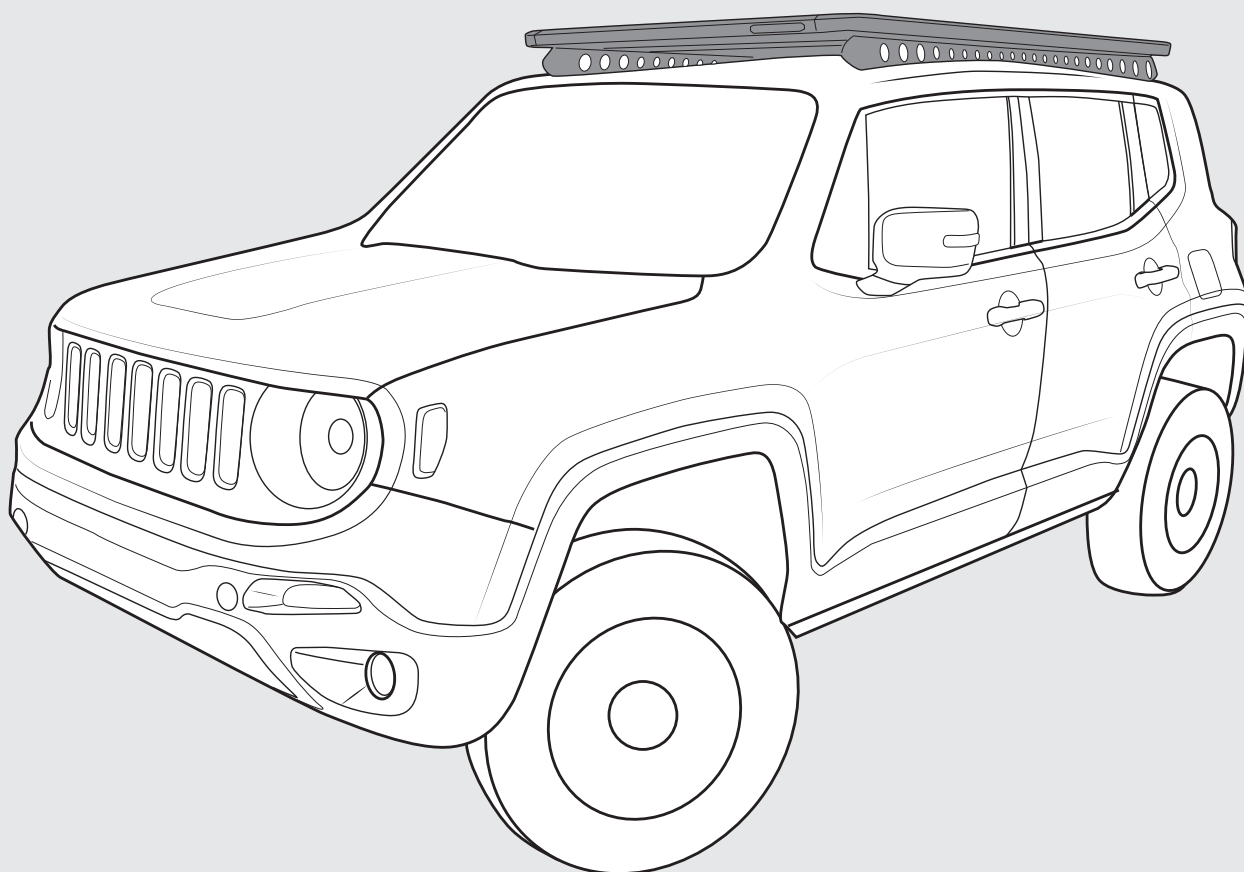
CONTROLLED

JEEP RENEGADE - RJRB1

Important:

1. Check the Rhino-Rack website to ensure you have the latest issue of these instructions.
2. Please refer to your fitting instruction to ensure that the roof racks are installed in the correct locations.
3. Check the contents of kit before commencing fitment and report any discrepancies.
4. Place these instructions in the vehicle's glove box after installation is complete.
5. These instructions must be followed for warranty to be upheld.

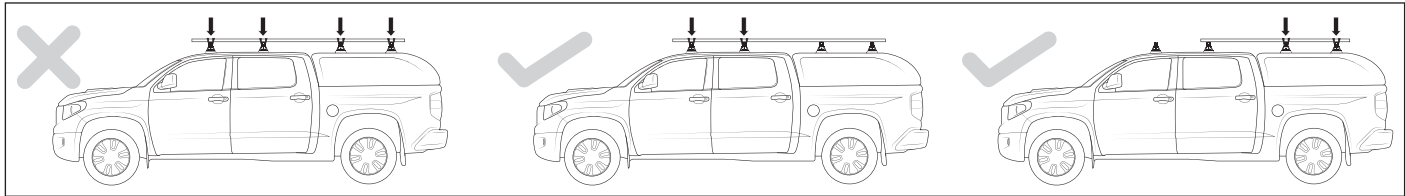
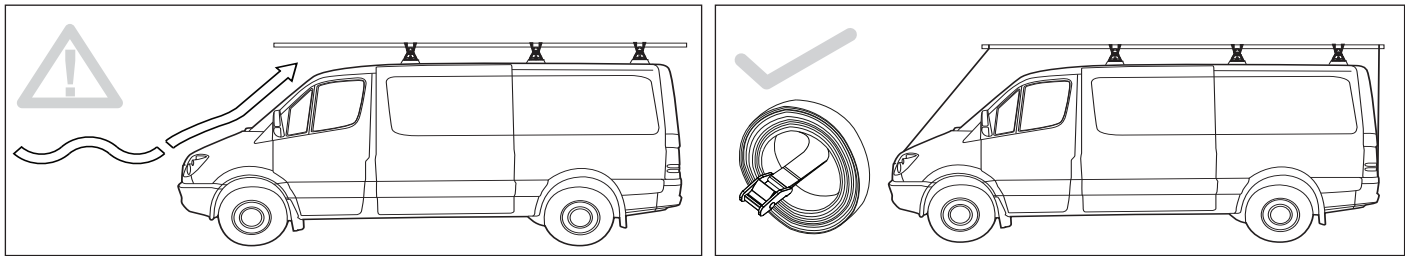
Fit Time: 120mins



Rhino-Rack,
22A Hanson Pl, Eastern Creek
NSW 2766, Australia
(02) 8846 1900
rhinorack.com.au

Document No: R2653
Issue No: 01
Issue Date: 03/11/2020

RJRB1 Instructions



ON ROAD CARGO ALLOWANCE (OR)	OFF ROAD ROAD CARGO ALLOWANCE (OR)	VEHICLE ROOF LOAD LIMIT (VLL)	SYSTEM WEIGHT (SW)
$(OR) = (VLL) - (SW)$	$(OFR) = (OR) / 1.5$	68g / 150lb (CHECK VEHICLE OWNERS HANDBOOK FOR SPECIFIC FIGURE).	35kg / 77lb

Carrying Capacity

Check your vehicle owners hand book for vehicle maximum carrying capacity. Please ensure you use the vehicle manufactures maximum roof allowance if it is lower than the figure listed in this instruction.

Load must be evenly distributed over the system.

Off Road: Any driven path taken that does not contain a surface protection layer (tar/bitumen).

Vehicle Load Limit: Total permissible weight attached to the roof of the car. This is inclusive of the weight of the roof rack system.

System Load Limit: Total permissible weight allowed on top, and attached to roof racks whilst the vehicle is in motion.

Torque Settings

Unless stated otherwise in these instructions, all fasteners should be set to the following torque settings - M6: 4-5Nm (3-4lbs/ft), M8: 8-10Nm (6-7.5lbs/ft) and M10: 16-18Nm (12-13lbs/ft).

Warning

- Check part number/ or kit is correct for use with your vehicle.
- Do not attempt to fit the rack system to your vehicle unless you fully understand these fitting instructions. Please direct any questions regarding fitting to the dealer from where the roof racks were purchased.
- Although the system is tested and approved to AS1235-2000 / ISO 11154, off-road conditions can be much more rigorous. Extreme care must be taken in off road conditions.
- Roof racks must be removed when vehicle is put through an automatic car wash.
- With utility vehicles, the cabin and the canopy move independently. Roofracks and vehicle can be damaged if the item transported is rigidly fixed at points on both the cabin and canopy. Instead, rigidly fix to either the cabin roofracks or the canopy roofracks.
- Always ensure you fasten your load securely.
- Use only non-stretch fastening ropes or straps to attach cargo to your load.

In service maintenance checks

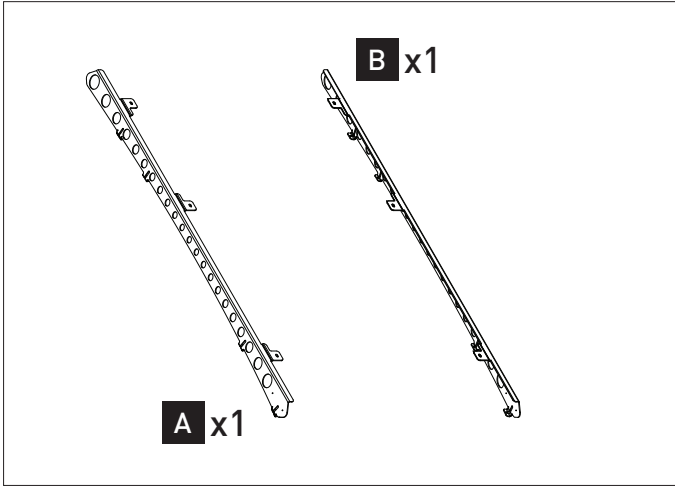
- All bolt connections should be checked after driving a short distance when you first install your roof racks.
- All bolted connections should be checked again at regular intervals (weekly is recommended, depending on road conditions, usage, loads and distances travelled).
- All bolted connections should be checked each time they are re-fitted.

Note for Dealers and Fitters

It is your responsibility to ensure these fitting instructions are given to the end user or client. These instructions remain the property of Rhino-Rack Australia Pty. Ltd. and may not be used or changed for any other purpose than intended.

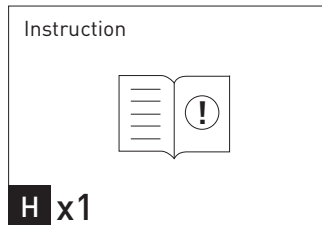
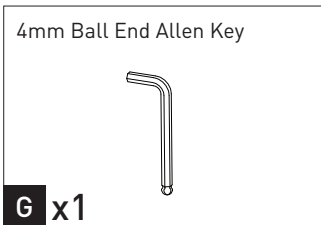
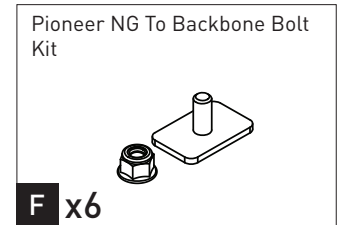
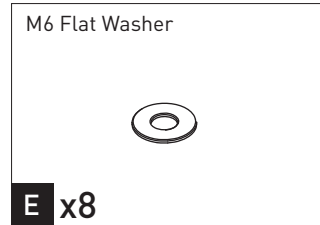
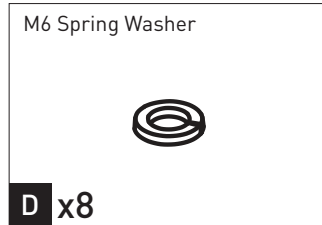
RJRB1 Instructions

Parts List



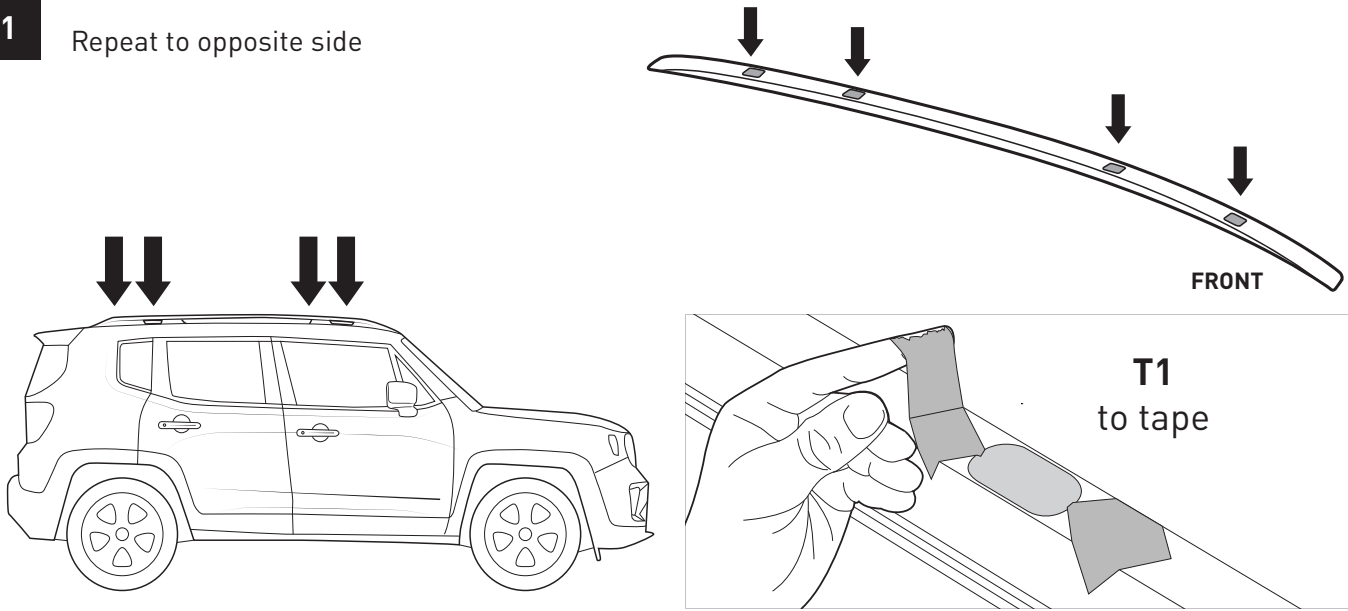
Tools Required:

- T1 - Masking Tape
- T2 - Safety Pin
- T3 - Cleaning Rag
- T4 - 13mm (1/2") Socket Wrench



RJRB1 Instructions

1 Repeat to opposite side



The diagram shows a side view of a car with two pairs of arrows pointing to the roof rails. To the right, a long, thin rail is shown with four arrows pointing to specific mounting points. Below this, a close-up shows a hand applying a piece of tape labeled 'T1' to the rail. The word 'FRONT' is written below the rail diagram.

T1
to tape

2 Repeat to all eight mounting points (4 each rail)

2a **T2** to remove

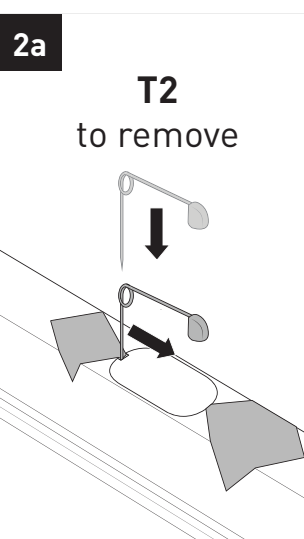


Diagram 2a shows a hand using a tool to remove a component from the rail. An arrow points down to the component.

2b

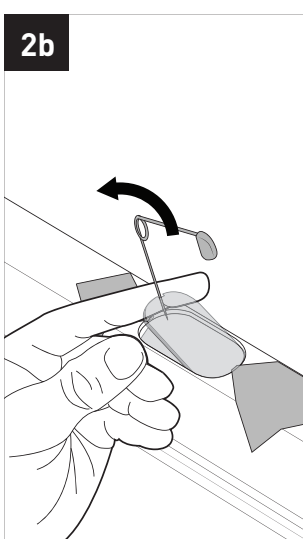


Diagram 2b shows a hand using a tool to remove a component from the rail. An arrow points to the component.

2c

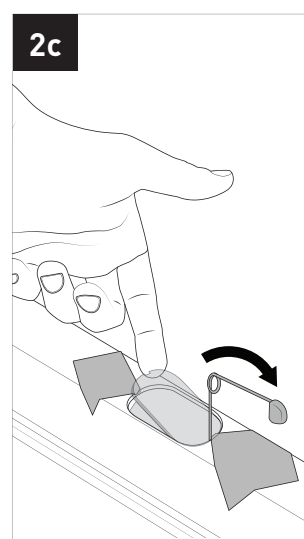


Diagram 2c shows a hand using a tool to remove a component from the rail. An arrow points to the component.

2d

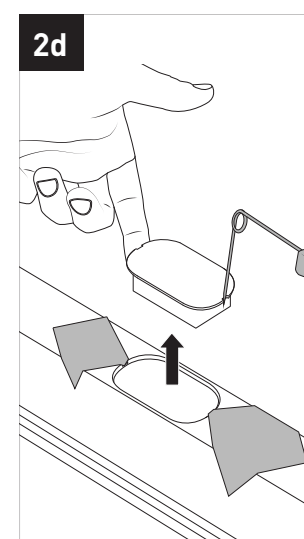
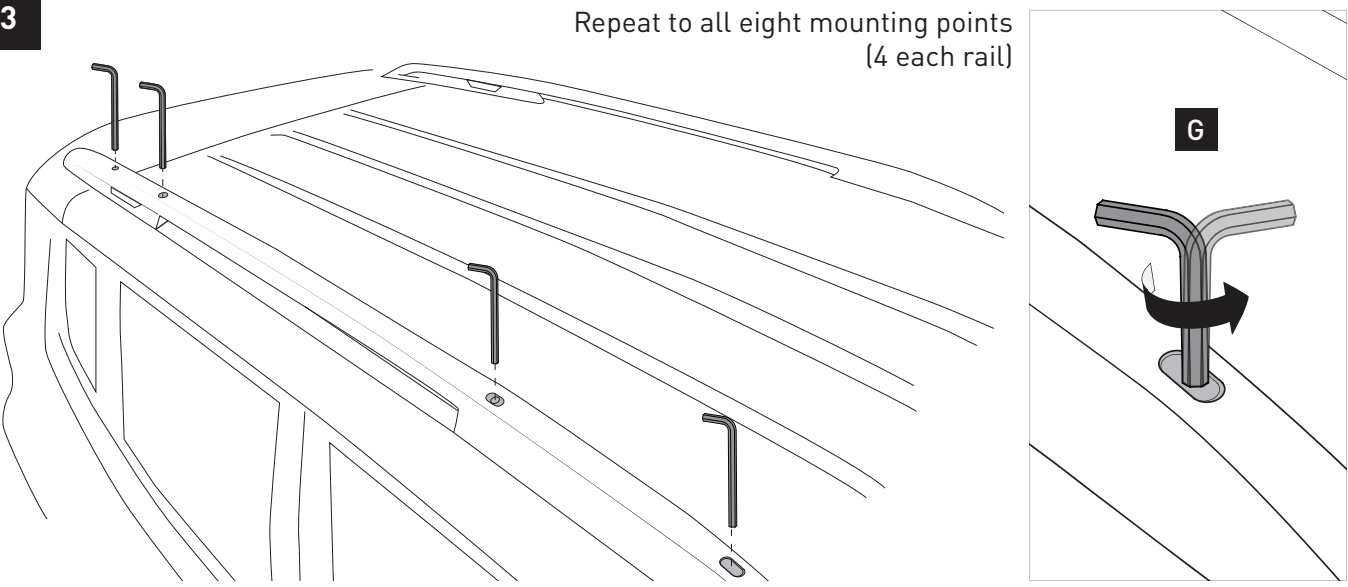


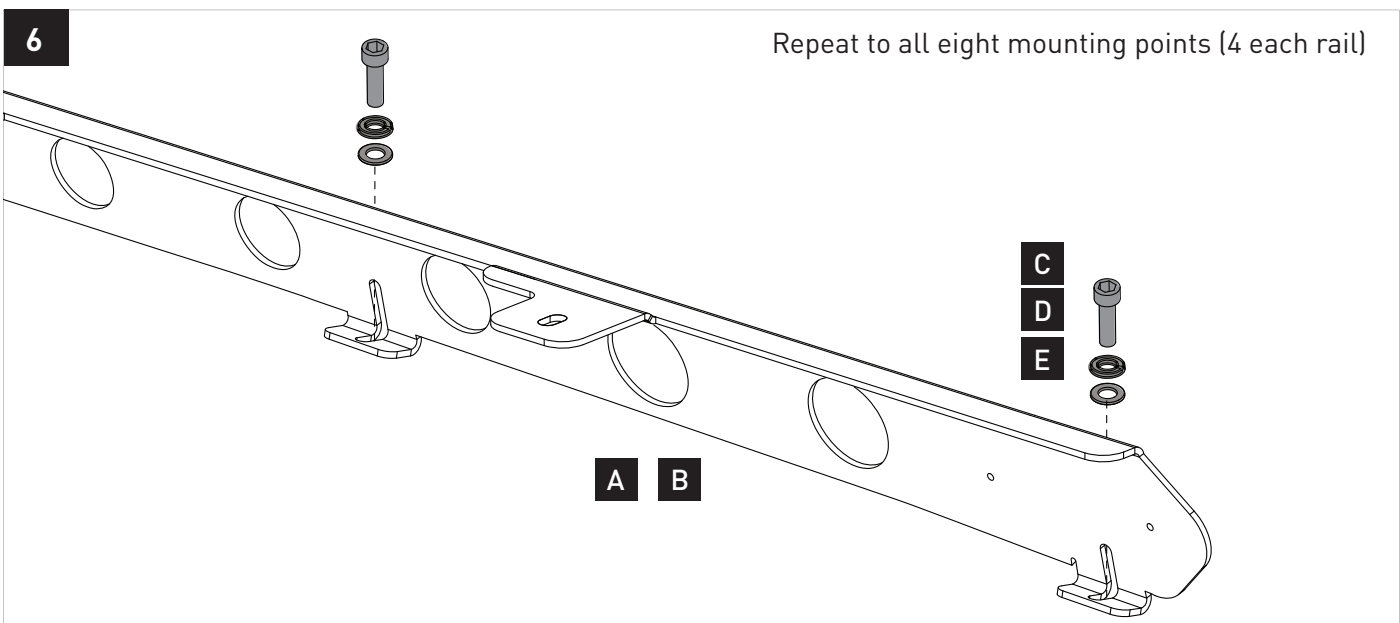
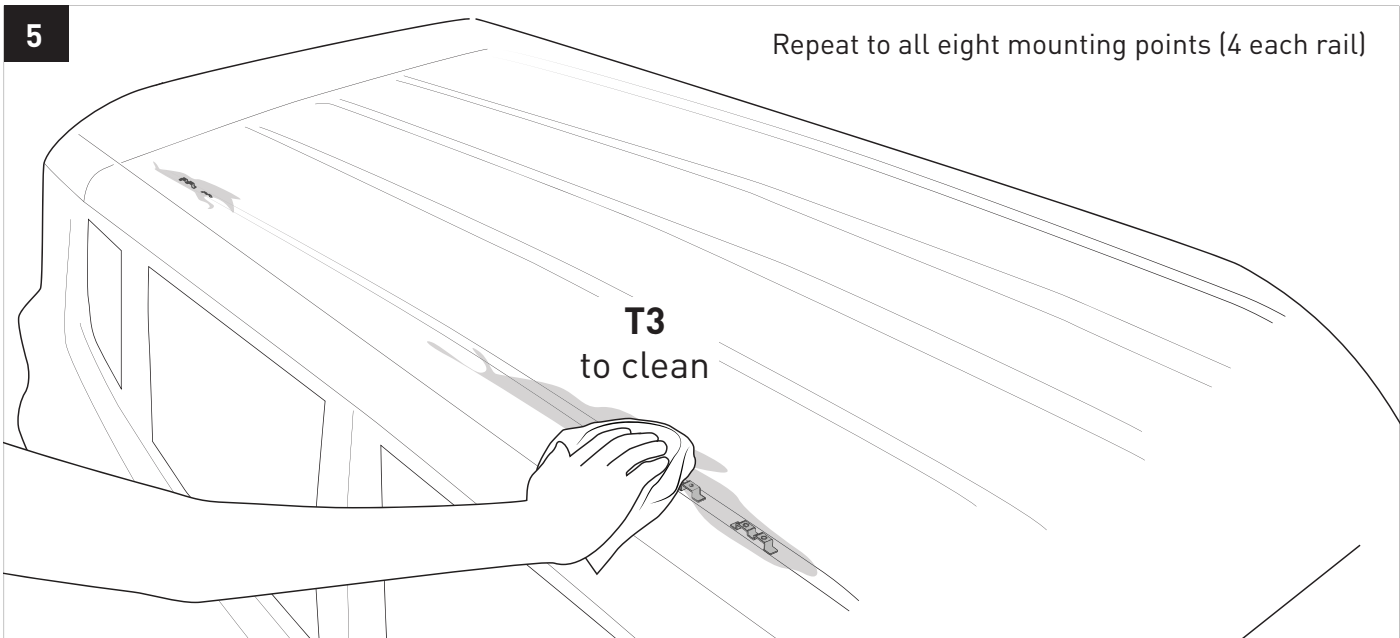
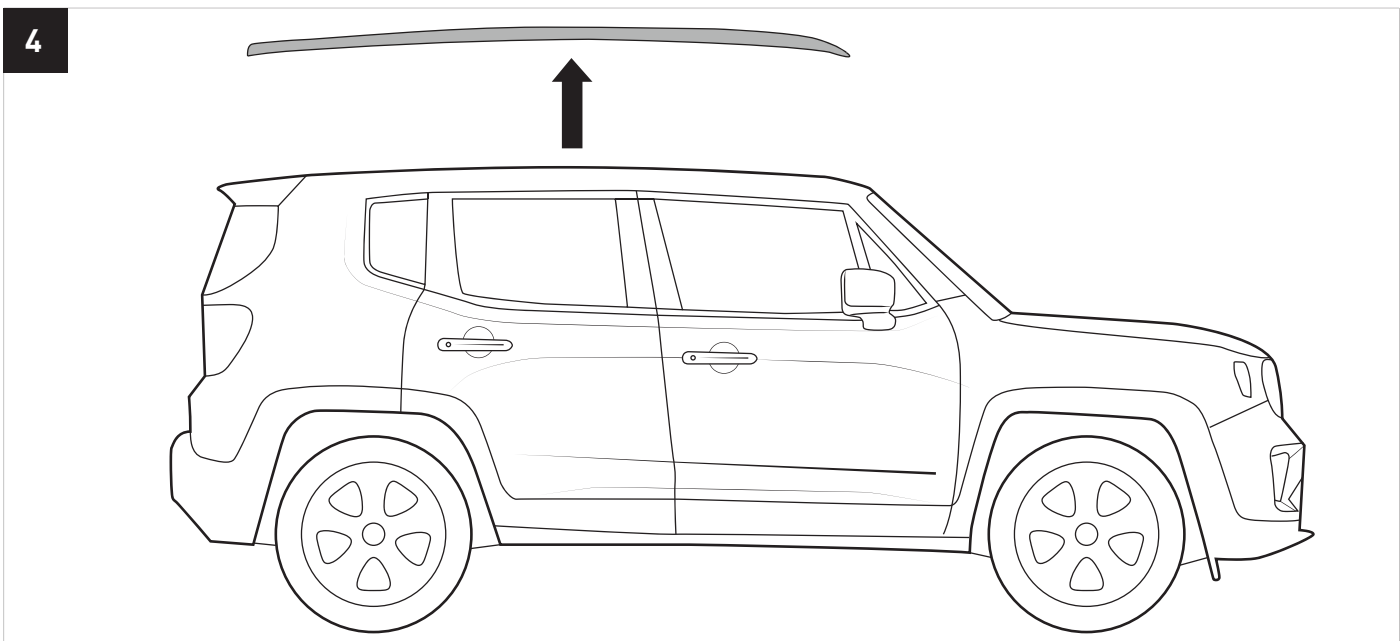
Diagram 2d shows a hand using a tool to remove a component from the rail. An arrow points up to the component.

3 Repeat to all eight mounting points (4 each rail)

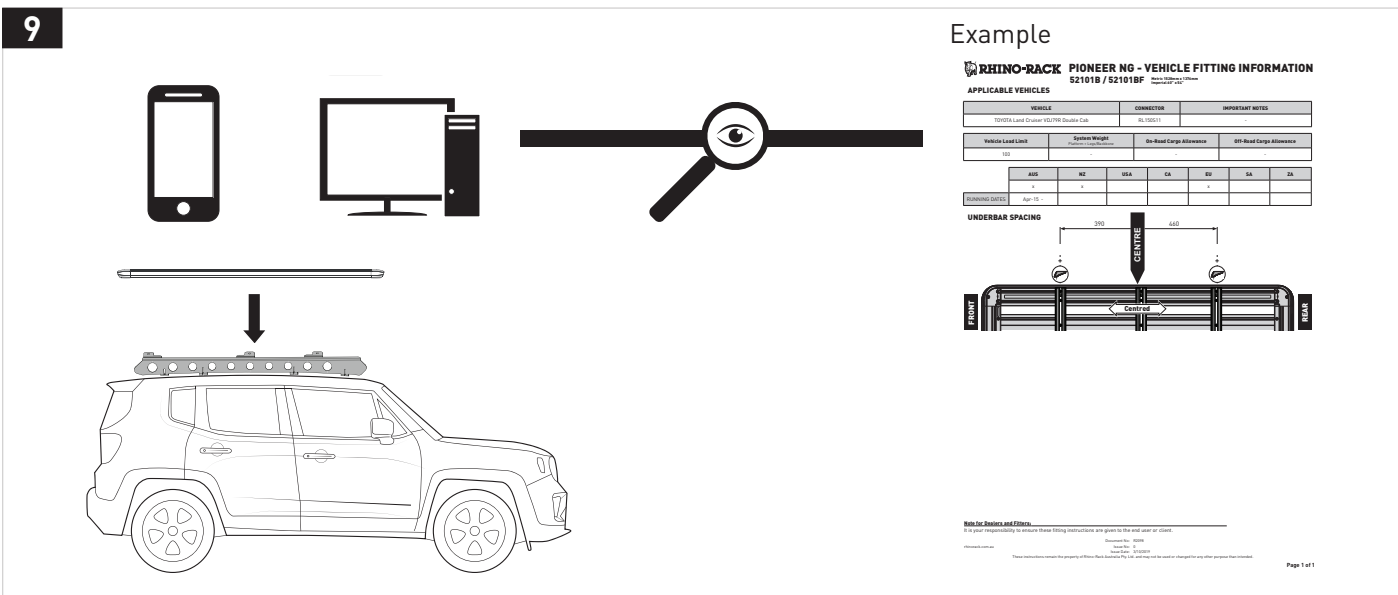
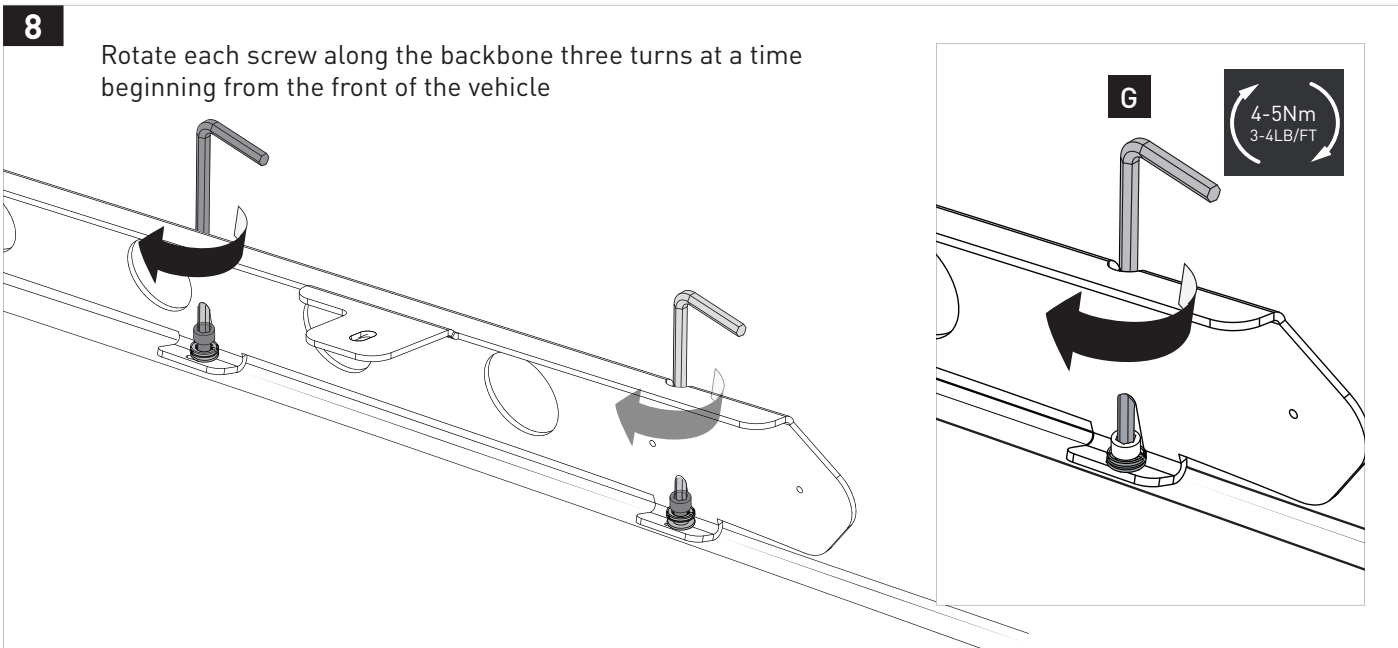
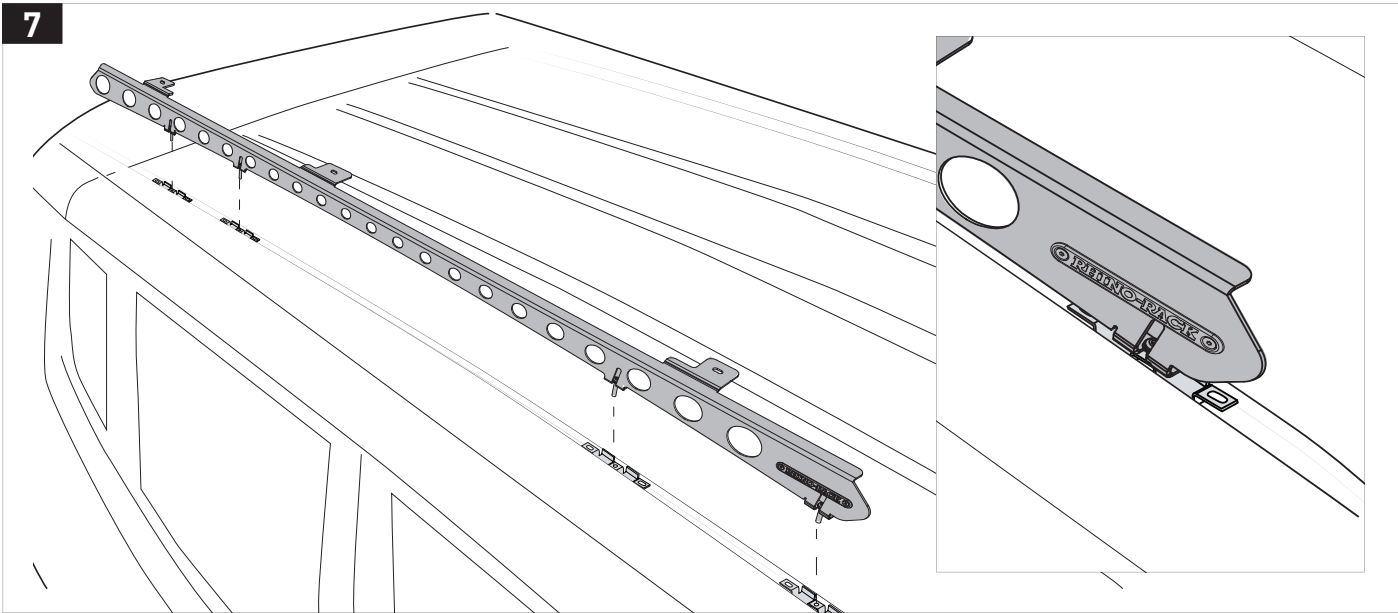


The diagram shows a side view of a car with four L-shaped brackets being installed on the roof rails. A close-up shows a hand using a tool to install a bracket labeled 'G' into a hole in the rail. An arrow points to the bracket.

G



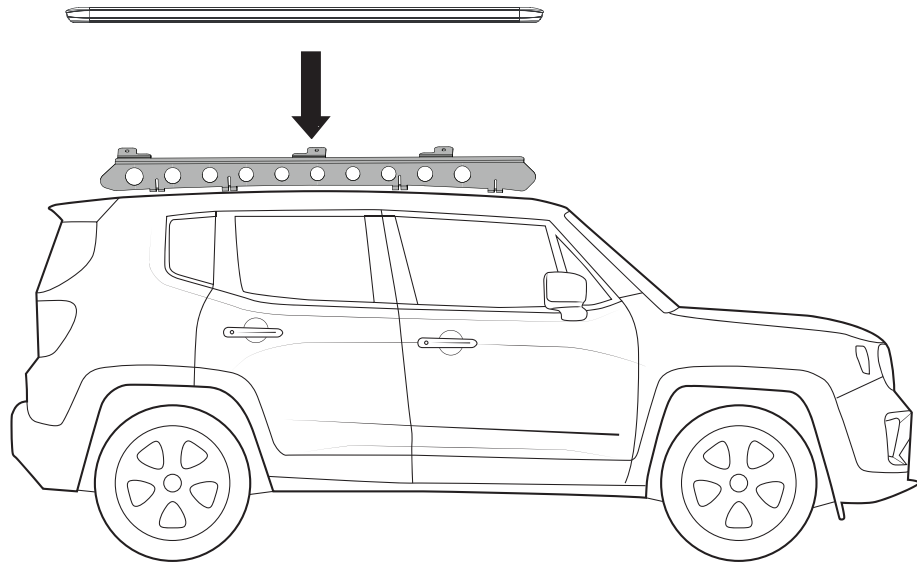
RJRB1 Instructions



RJRB1 Instructions

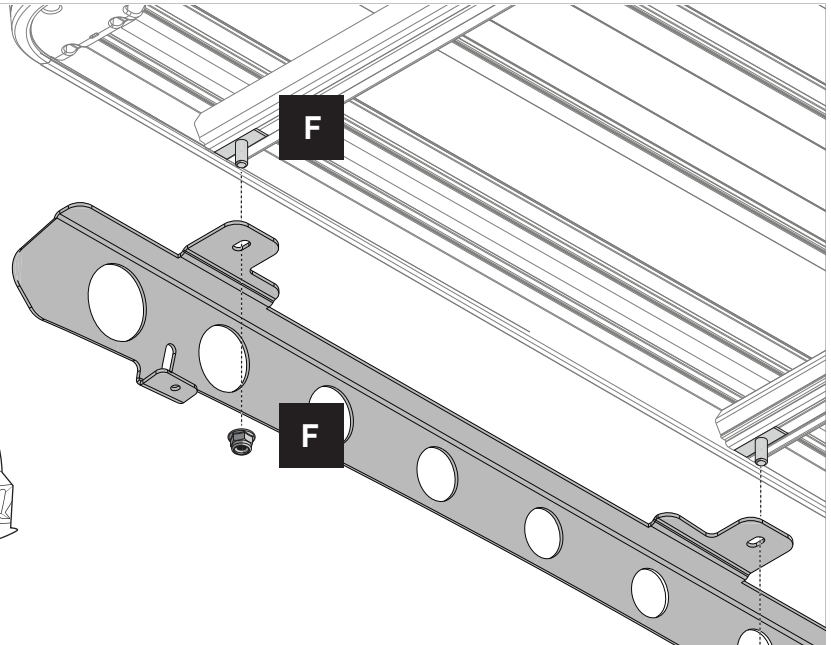
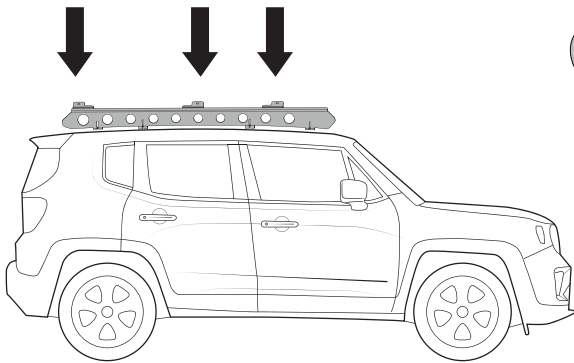
10

Align the underbars with the top tabs and ensure the M8 hardware fits into underbar channel.



11

Repeat for the six tabs on top of the backbone rails (3 each rail).



12

Repeat for the six tabs on top of the backbone rails (3 each rail).

