

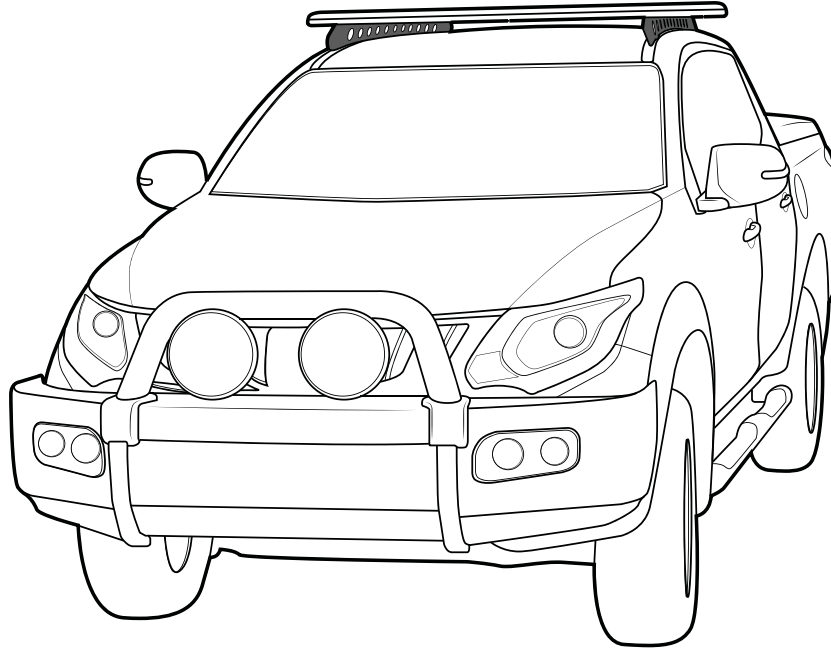
**CONTROLLED**

RHINO-RACK

Mitsubishi Triton Backbone RMTB1

Important: Please read these instructions carefully prior to installation. Please refer to your fitting instruction to ensure that the Backbone System is installed in the correct location. Check the contents of kit before commencing fitment and report any discrepancies. Place these instructions in the vehicle's glove box after installation is complete.

Layout



Maximum load carrying capacity: 100kg / 220lbs

Important Information

1. Check Part No./Kit is correct
2. Read through instruction before installing
3. Fit roof rack accessory
4. Check and recheck all fasteners are secure

Maximum carrying capacity: 100kg (220lbs) including the weight of the rack system (dependant on Platform size).

Please refer to your vehicle manufacturers handbook for maximum carrying capacity. Always use the lower of the two figures. Load must be evenly distributed over the entire basket. **Static Load Rating: 320kg/ 705lbs**

Warning: Do not attempt to fit the rack system to your vehicle unless you fully understand these fitting instructions. Please direct any questions regarding fitting to the dealer from where the roof racks were purchased.

Use only non-stretch fastening ropes or straps.

Recommendations: It is essential that all bolt connections be checked after driving a short distance when you first install your roof racks. Bolt connections should be checked again at regular intervals (once a week is enough, depending on road conditions, usage, loads and distances travelled). You should also check the roof racks each time they are re-fitted. Always make sure to fasten your load securely. Please also ensure that all loads are evenly distributed and that the centre of gravity is kept as low as possible and must be entirely contained within the extents of the roof racks.

Rack System must be removed when putting vehicle through an automatic car wash.

Caution: The handling characteristics of the vehicle changes when you transport a load on the roof. For safety reasons we recommend you exercise extreme care when transporting wind-resistant loads. Special consideration must be taken into account when cornering and braking.

Off-road use:

The Backbone Rack System may be used in off road applications, however a safety factor of 1.5 is enforced. That is, maximum permissible off road load is **66kg (145lbs)**. Although the crossbars are tested and approved to AS1235-2000/ 15011154, off-road conditions can be much more rigorous. Extreme care must be taken in off road conditions

Note for Dealers and Fitters:

It is your responsibility to ensure these fitting instructions are given to the end user or client.

Rhino-Rack 3 Pike Street, Rydalmere,
NSW 2116, Australia.
(Ph) (02) 9638 4744
(Fax) (02) 9638 4822

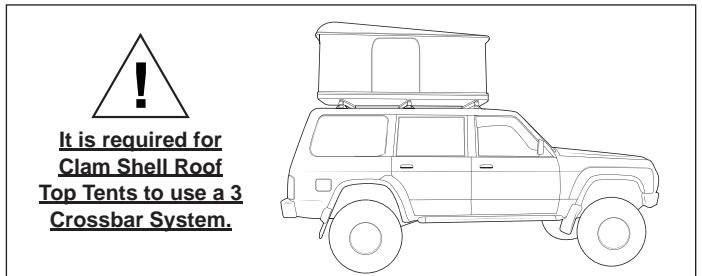
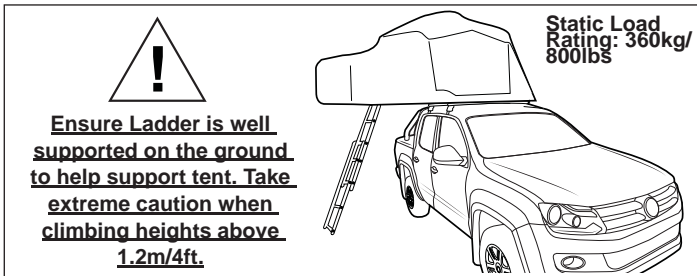
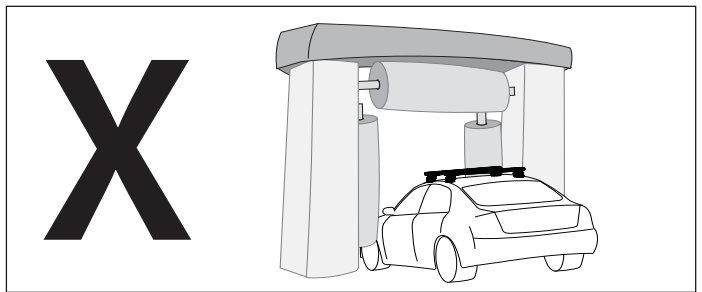
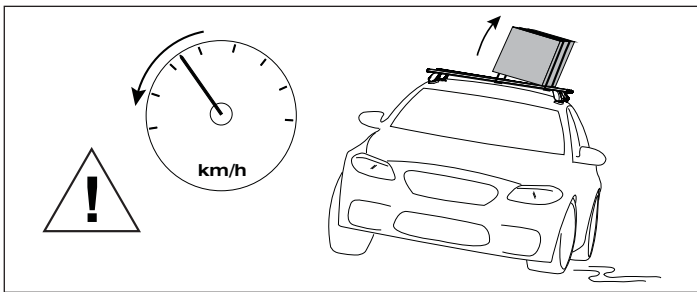
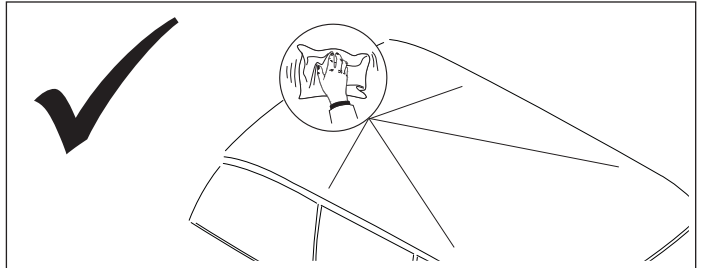
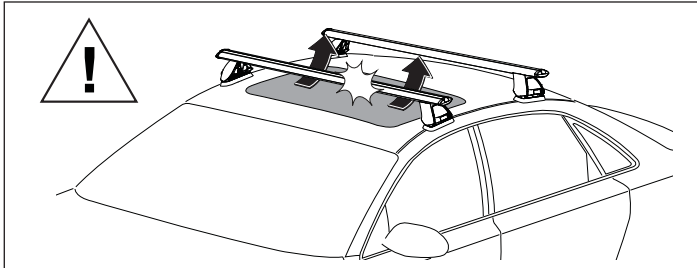
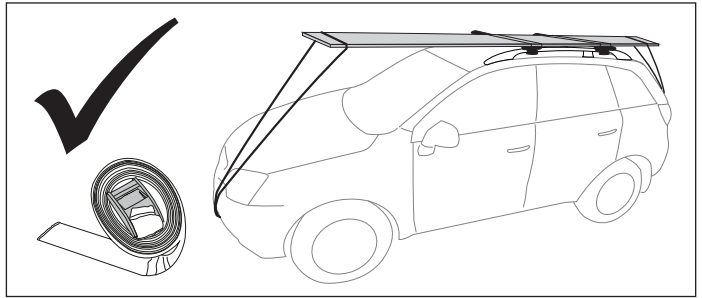
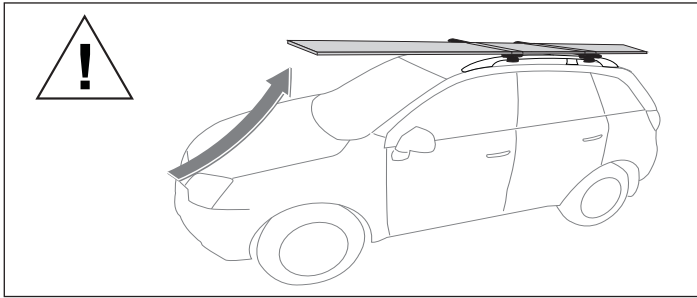
Document No: R1202
Prepared By: Kayle Everett
Authorised By: Chris Murty

Fit Time: 1 Hour
Issue No: 04
Issue Date: 30/05/2017

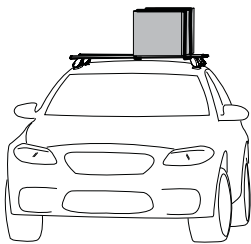
These instructions remain the property of Rhino-Rack Australia Pty. Ltd. and may not be used or changed for any other purpose than intended.



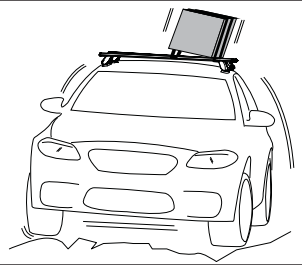
Mitsubishi Triton Backbone RMTB1



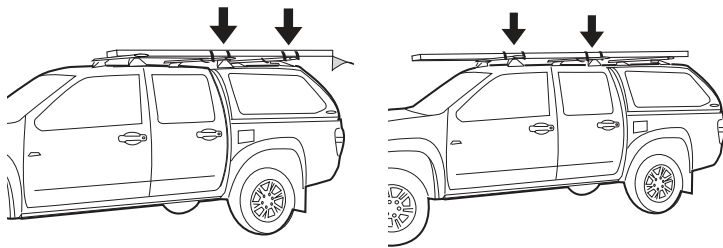
When these roof racks are to be used on a vehicle that is driven off sealed roads, the manufacturer maximum roof load rating (to be found in the vehicles User Manual) should be **divided by 1.5**. Do not forget to subtract the complete crossbar system weight from your maximum carrying capacity.



100kg/220lbs (Urban Road)	=	66kg/145lbs (Off Road)
------------------------------	---	---------------------------

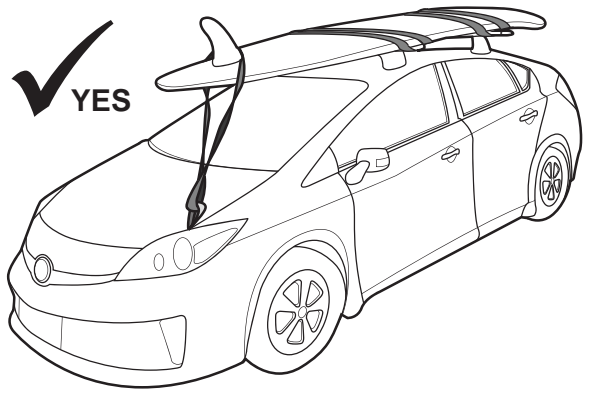


WARNING! Important Load Carrying Instructions
With utility vehicles, the cabin and the canopy move independently. Roofracks and vehicle can be damaged if the item transported is rigidly fixed at points on both the cabin and canopy. Instead, rigidly fix to either the cabin roofracks or the canopy roofracks.



Paddle/ Surfboards should be fixed to the front of the vehicle.

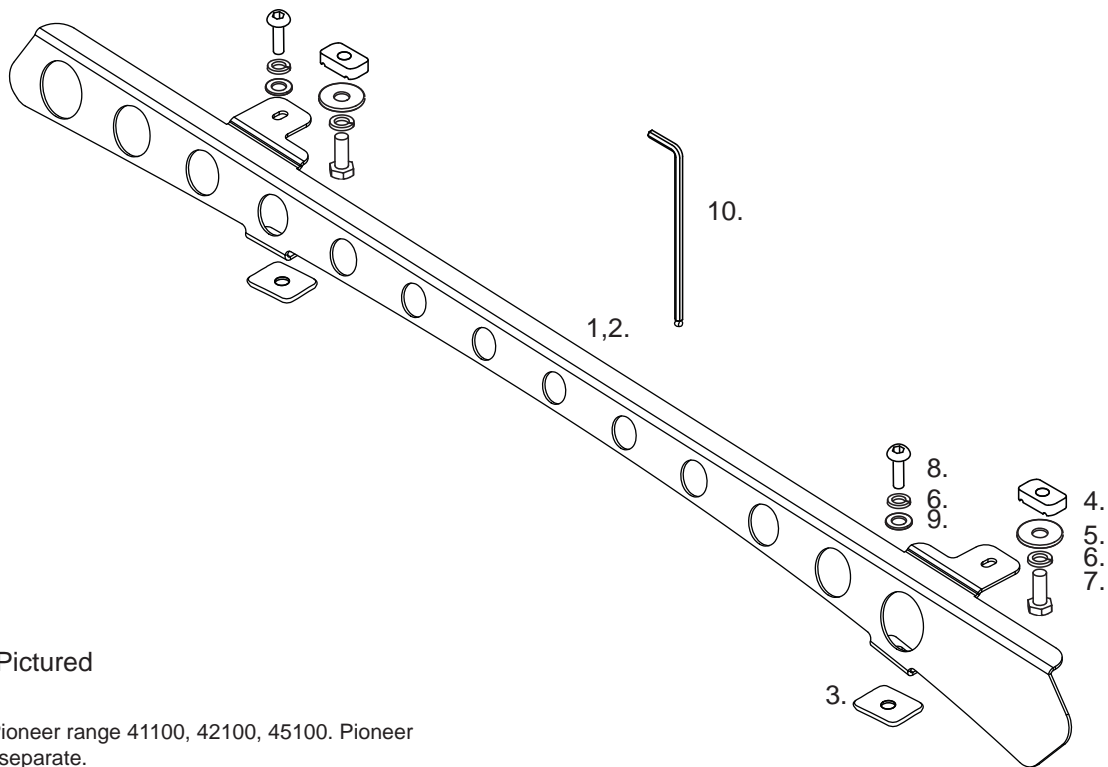
YES





Mitsubishi Triton Backbone RMTB1

Parts List

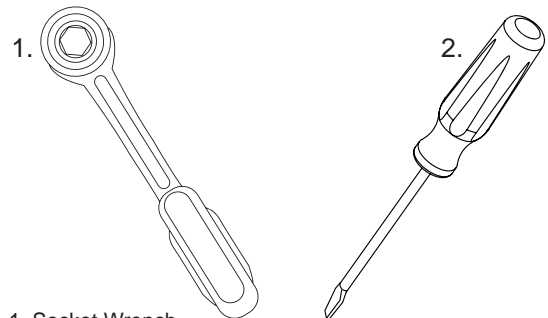


Right Side Pictured

For use with Pioneer range 41100, 42100, 45100. Pioneer range sold as separate.

Item	RTL1 Kit	Qty	Part No.
1	Triton Left Rail	1	CA1515
2	Triton Right Rail	1	CA1516
3	Butyl Patch 40mm x 25mm	4	CA1260
4	M8 Channel Nut	4	N003
5	M8x19x2.5 Flat Washer	4	W043
6	M8 Spring Washer	8	W019
7	M8x25 Hex Setscrew	4	B169
8	M8x16 Dome Head Screw	4	B072
9	M8x17x2.5 Flat Washer	4	W020
10	5mm Ball End Allen Key	1	-
11	Instructions	1	R1202

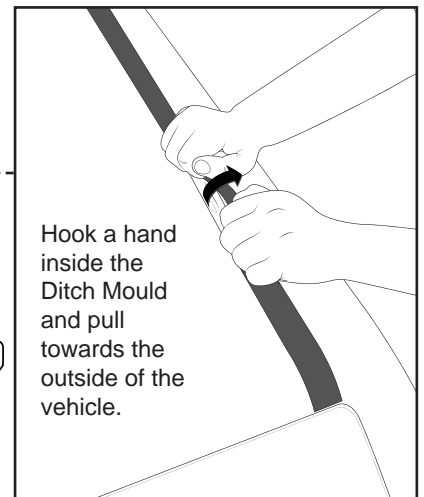
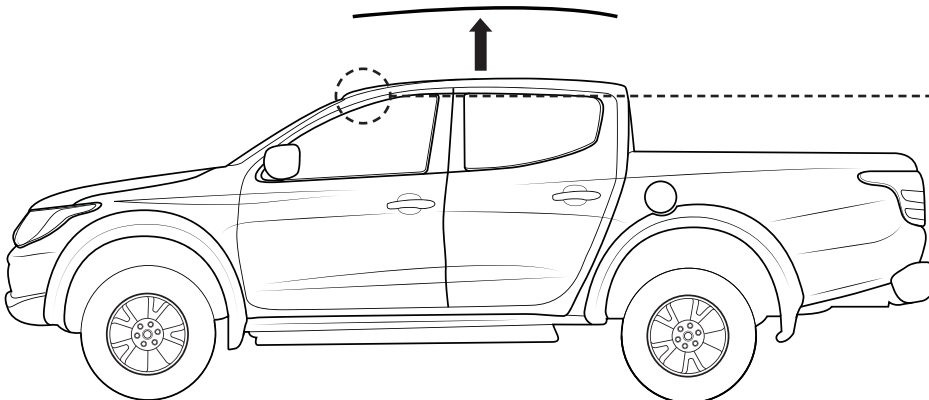
Tools Required:



1. Socket Wrench
2. Flat blade Screw Driver
3. Measuring Tape
4. Cutters.

Instructions

- 1 Starting at the front of the vehicle, carefully lift the Ditch Mould.

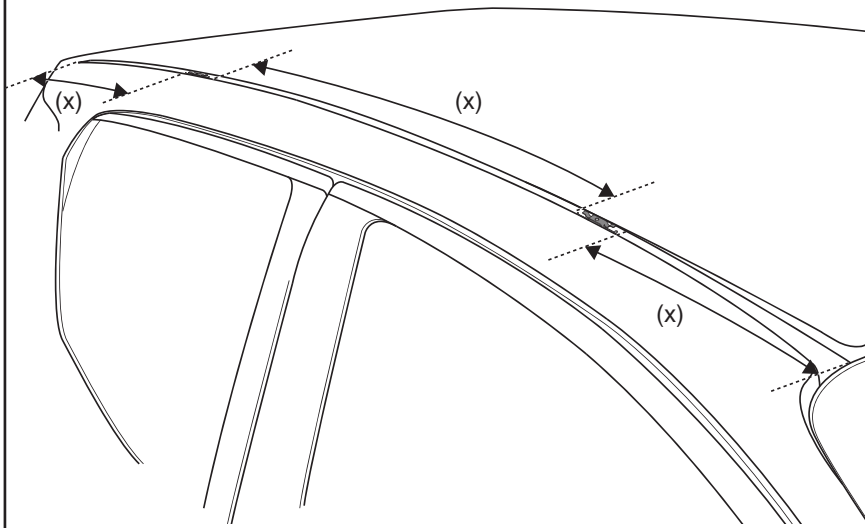


Hook a hand inside the Ditch Mould and pull towards the outside of the vehicle.



Mitsubishi Triton Backbone RMTB1

2a Measure the gaps in the ditch around the Mount Points in the roof.

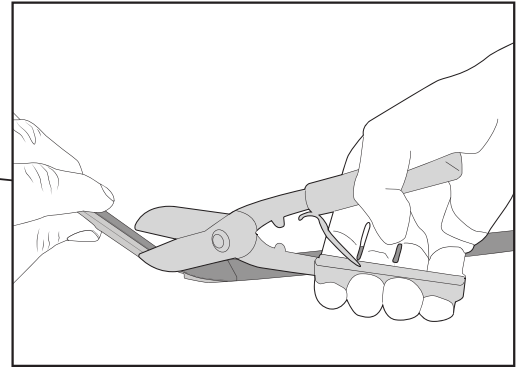
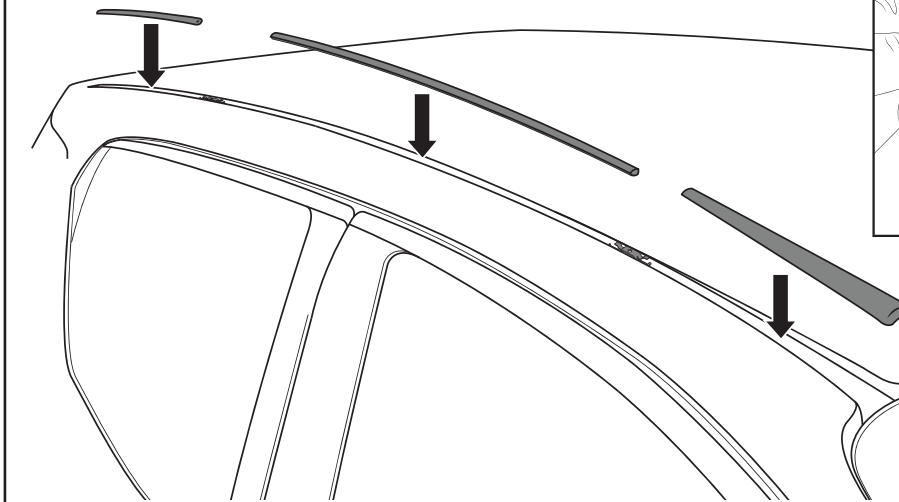


When measuring, leave a 3-5mm gap either side of the Mount Point to ensure an easy fit.

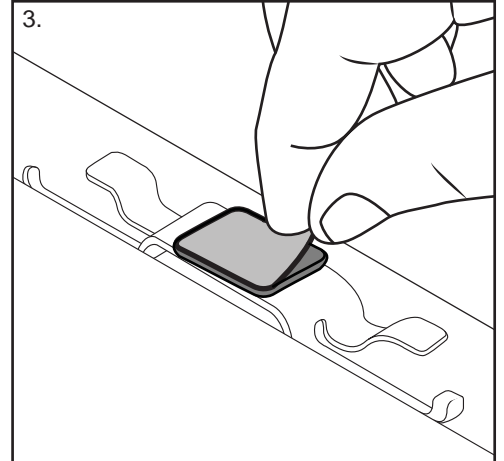
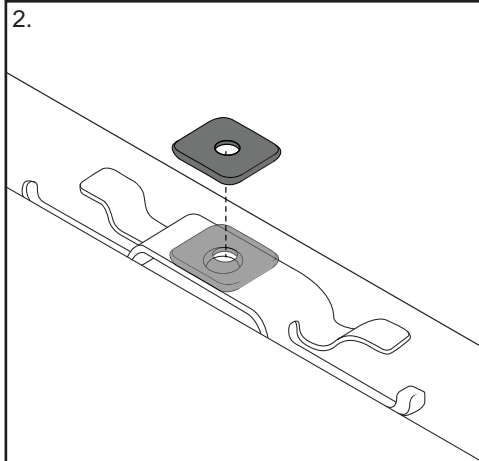
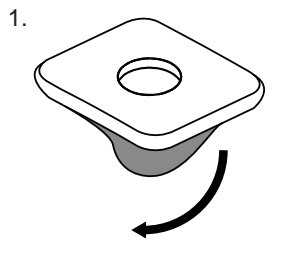
3-5mm

3-5mm

2b Using the measurements attained previous and a set of Cutters, cut the Ditch Mould to fit around Mount Points in the roof. Re-install the Ditch Mould into place.



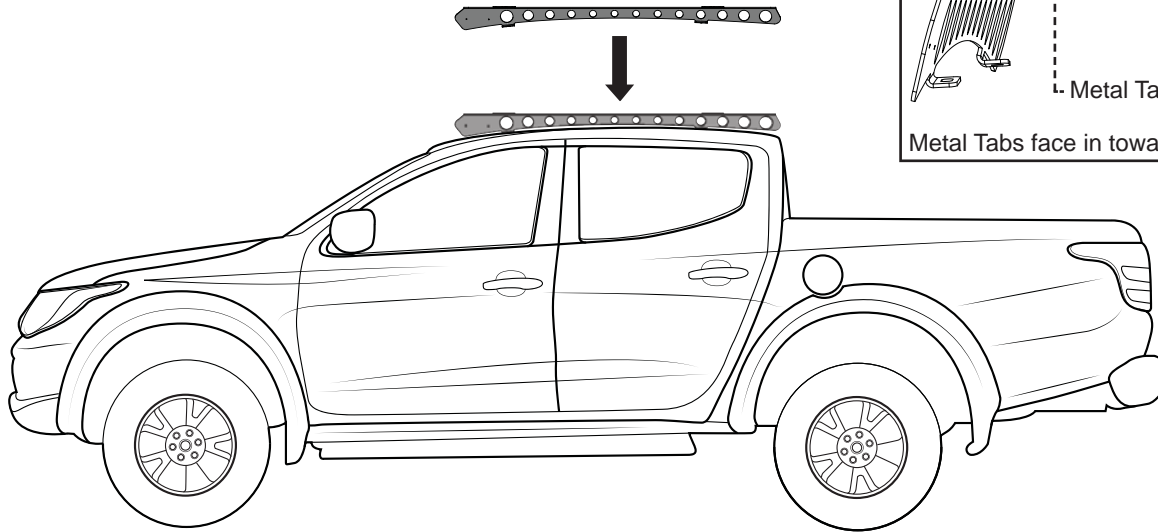
3 Peel off the one side of backing tape on the Butyl Patches provided. Place these carefully over all Mounting Points in the ditch. Remove the top layer of backing tape as shown.



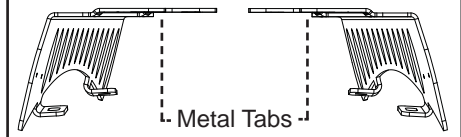


Mitsubishi Triton Backbone RMTB1

- 4** Place one side of the Backbone onto the roof of the vehicle. Line up the mounting points of the bracket to the those exposed points on the roof, revealed in the previous steps.

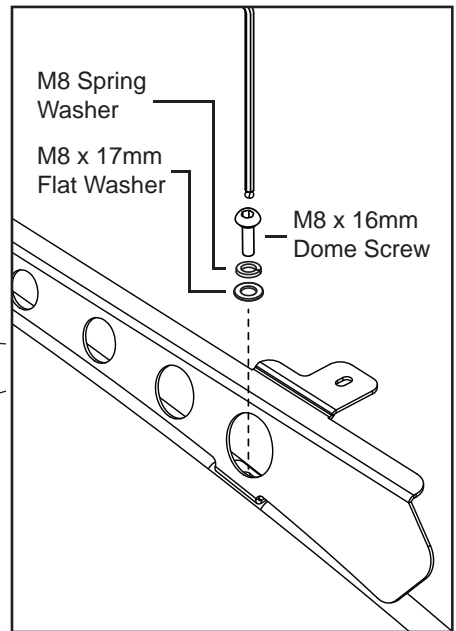
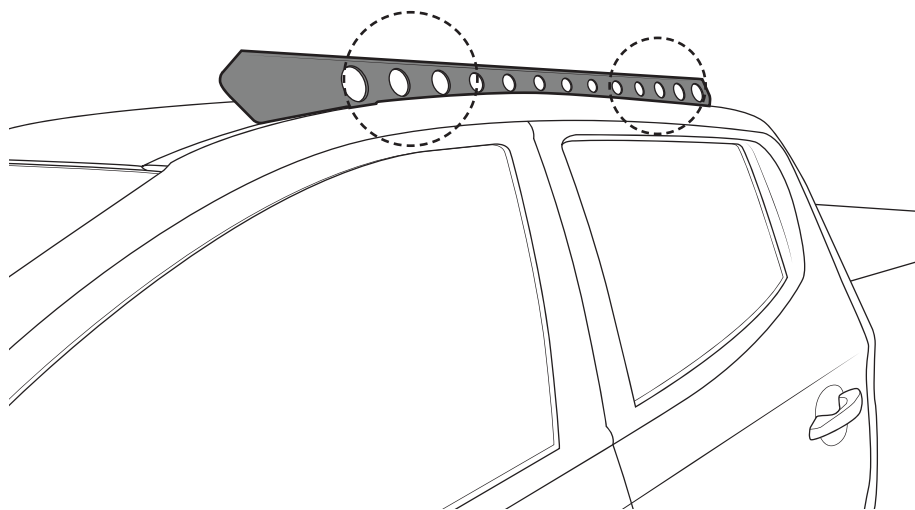


Front View:

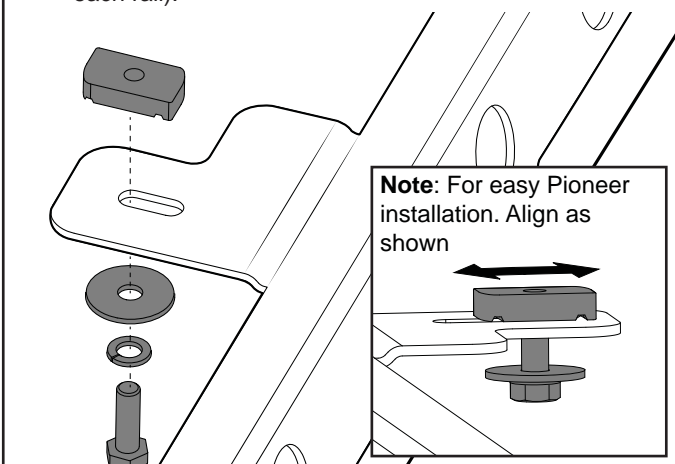


Metal Tabs face in toward the vehicle.

- 5** Fix the Backbone in place using M8 x 16mm Dome Head Screws and M8 Spring and Flat Washers. Tighten with the Allen Key Provided.



- 6** Assemble M8 hardware as pictured below. Complete this for the six tabs on top of the backbone rails (3 each rail).

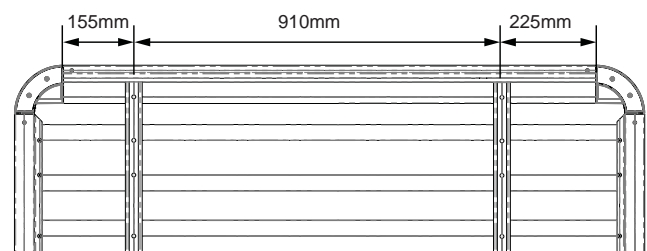


- 7** Install Pioneer Underbars with slots indicated (41100, 42100, 45100).

REAR: 225mm from Rear (drill)

FRONT: 155mm from Front (drill)

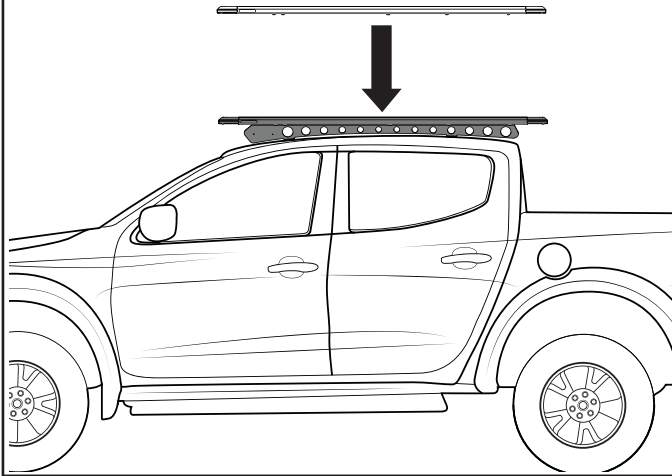
The front and rear will have to be drilled with an 8.5mm drill bit. For detailed underbar installation instructions, refer to Pioneer fitting instructions.





Mitsubishi Triton Backbone RMTB1

- 8** After underbars have been correctly fitted, place the Pioneer tray on top of the Backbone rails. Align the underbars with the top tabs and ensure the M8 hardware fits into underbar channel.



- 9** Once Pioneer underbars have been aligned properly, tighten all M8 hardware using 13mm socket wrench or 13mm spanner. Ensure channel nut has rotated within Pioneer underbar and is fixing Pioneer securely.

