

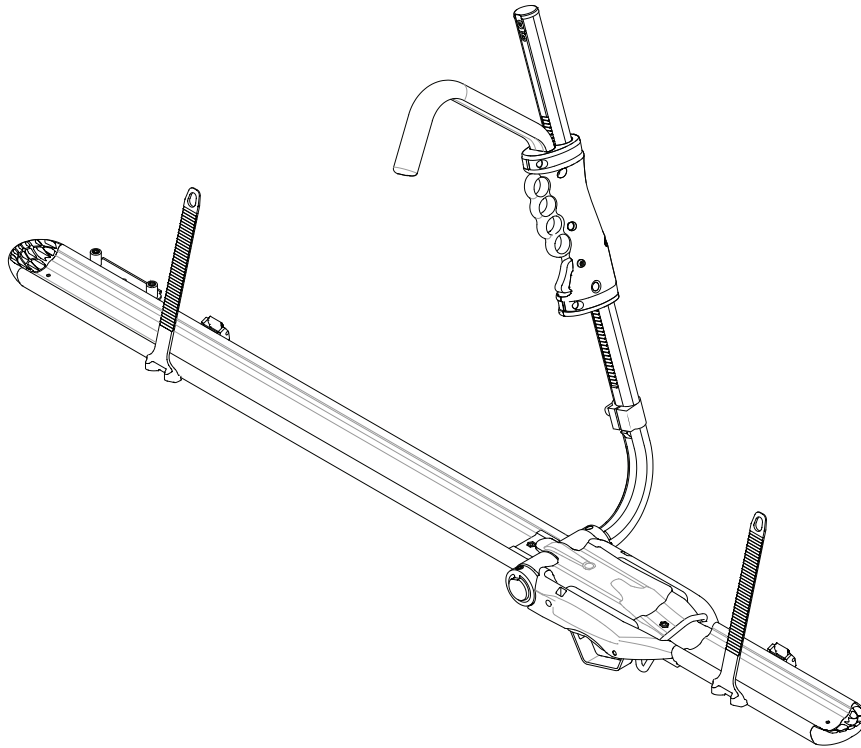


# RHINO-RACK

## Rhino-Rack Rocky Mount Bike Carrier (RBC050)

**Important:** Please read these instructions carefully prior to installation. Please refer to your fitting instruction to ensure that the roof racks are installed in the correct locations. Check the contents of kit before commencing fitment and report any discrepancies. Place these instructions in the vehicle's glove box after installation is complete.

### Layout



### Important Information

**Maximum carrying capacity: 21kg/45lbs bicycle**

**Recommendations:**

It is essential that all bolt connections be checked after driving a short distance when you first install your bike rack. Bolt connections should be checked again at regular intervals (probably once a week is enough, depending on road conditions, usage, loads and distances travelled).

**Bike Carrier is not suitable for Tandem bikes, E-bikes, recumbents.**

Remove front fenders, child seats & panniers before use.

**Warning: Locks are only a deterrent. Please exercise care when protecting your items from theft.**

**Sensitivity to cross winds, behaviour in curves and braking.**

The handling characteristics of the vehicle, changes when you transport a load. For safety reasons, we recommend you exercise extreme care when transporting wind-resisting loads; special consideration must be taken into account when braking.

**Please remove bike rack when putting vehicle through an automatic car wash.**

**Load Ratings:**

Maximum permissible load is 21kg/45lbs.

**Note:** the bike rack is configured for installation on the left side of the vehicle. For right side installation please follow steps 1-5 on pg 7.

**Note for Dealers and Fitters:**

It is your responsibility to ensure instructions are given to the end user or client.

Rhino-Rack  
3 Pike Street, Rydalmere,  
NSW 2116, Australia.  
(Ph) (02) 9638 4744  
(Fax) (02) 9638 4822

Document No: R475  
Prepared By: Kayle Everett  
Authorised By: Chris Murty

Issue No: 02  
Issue Date: 03/02/2016

These instructions remain the property of Rhino-Rack Australia Pty. Ltd. and may not be used or changed for any other purpose than intended.



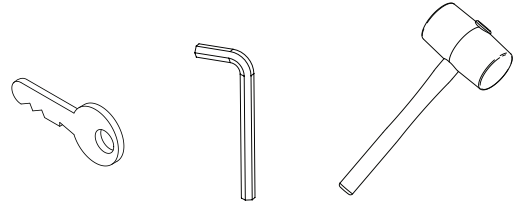
# Rhino-Rack Rocky Mount Bike Carrier (RBC050)

## General Parts List

Item	Component Name	Qty	Part No.
1	Extrusion End Caps	2	SP203
2	Arm Assembly/ Main Body Casting	1	SP212/ SP211
3	Rear Extrusion (955mm)	1	SP214
4	Lock Core	3	-
5	Metal Key	2	-
6	Allen Key	1	H021
7	Socket Head Screw M6 x 18mm	2	-
8	Wheel Strap Complete	2	SP204
9	Cable	1	CA1509
10	M6 x 30mm Cap Screw	1	B047
11	M6 Flat Washer	1	W003
12	Cable Lock Housing/ Key	1	M799
13	Nyloc Nut	1	N010
14	Instructions	1	R475

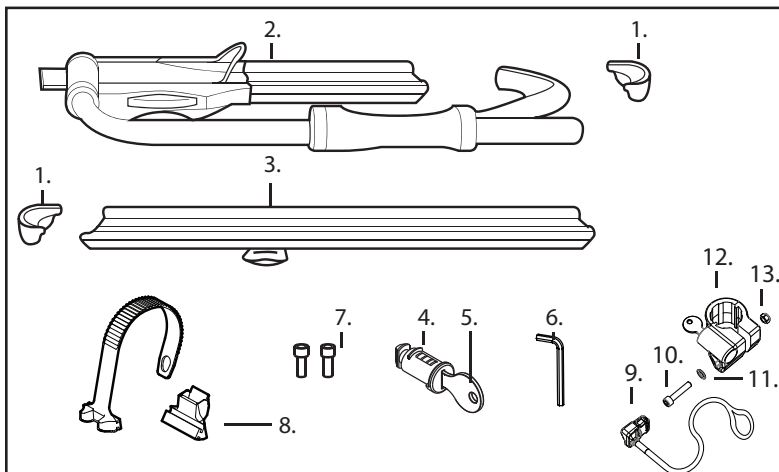
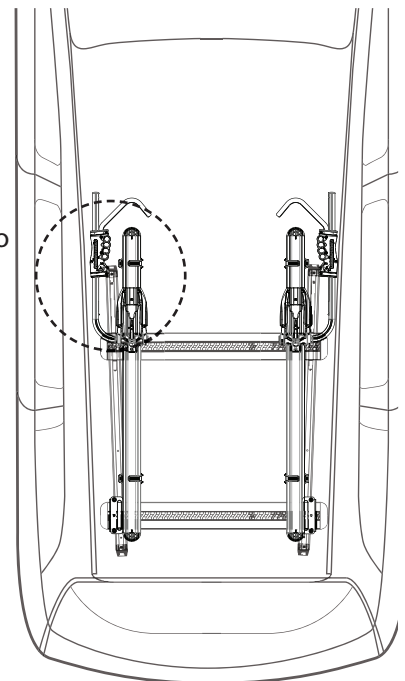
### Tools Required:

1. Rubber Mallet
2. Allen Key (provided)
3. Metal Key
4. Loctite



Note: See spare parts drawing online for any replacements required.

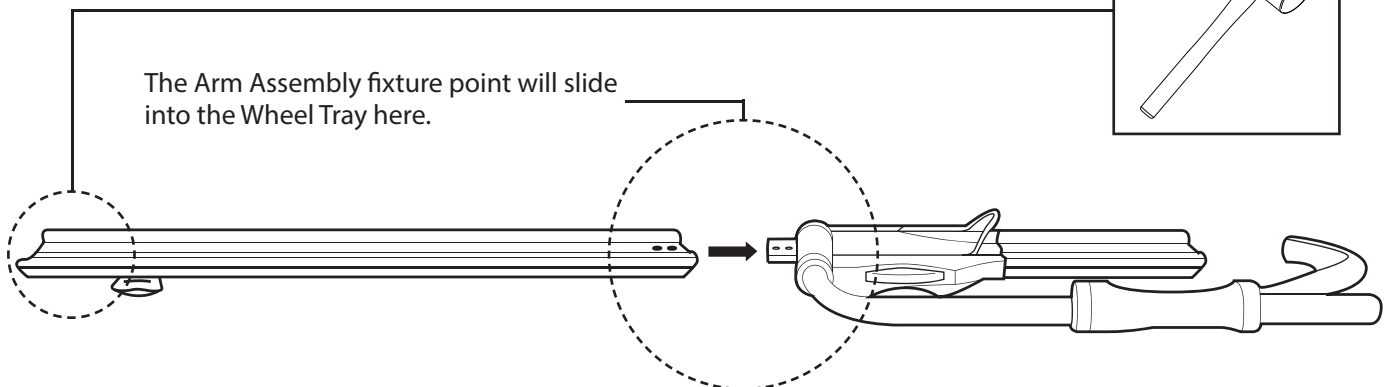
RBC050 is configured for the left hand side of the vehicle out of the box. If you wish to change this please go to page 7.



## Fitting Instruction

- 1 Using a rubber mallet, tap the Wheel Tray over the Arm Assembly fixture point.

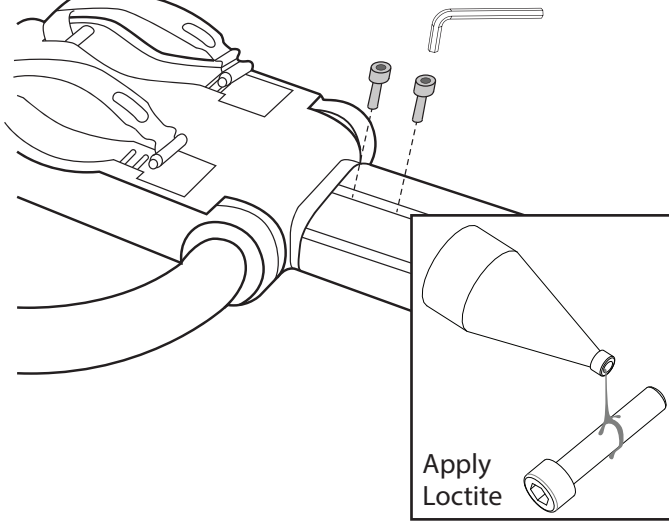
The Arm Assembly fixture point will slide into the Wheel Tray here.



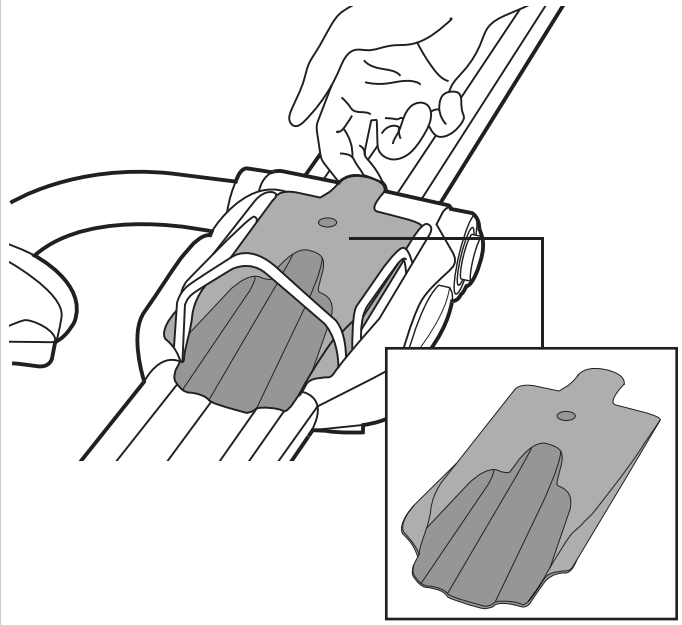


## Rhino-Rack Rocky Mount Bike Carrier (RBC050)

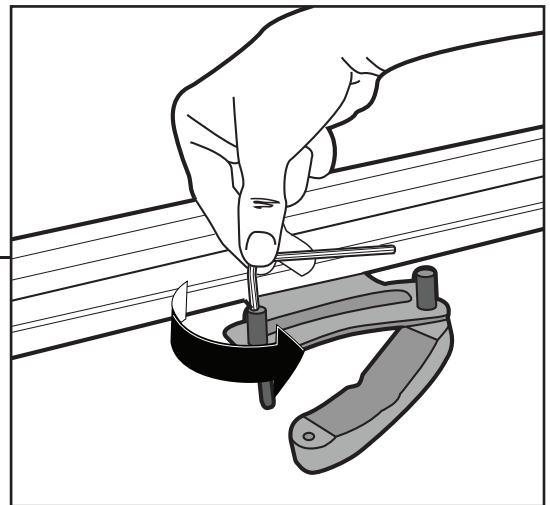
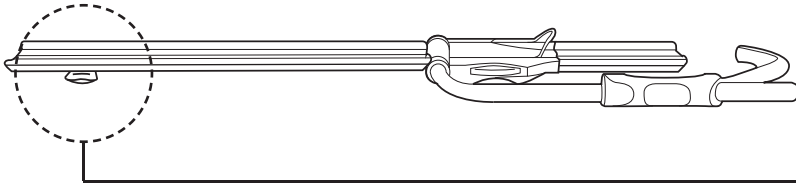
- 2** Turn the unit over. Using the two Socket Head screws provided, fix the Arm Assembly in place to 3-4Nm. It is recommended to use Loctite on these screw to avoid loosening over time.



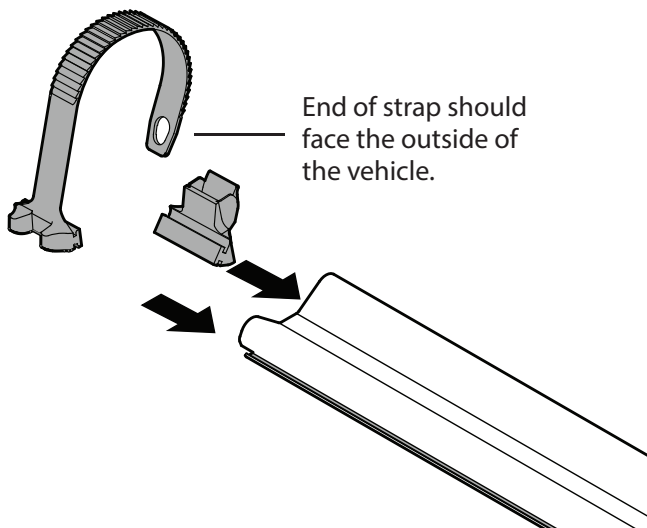
- 3** Remove the cover plate on the Arm Assembly.



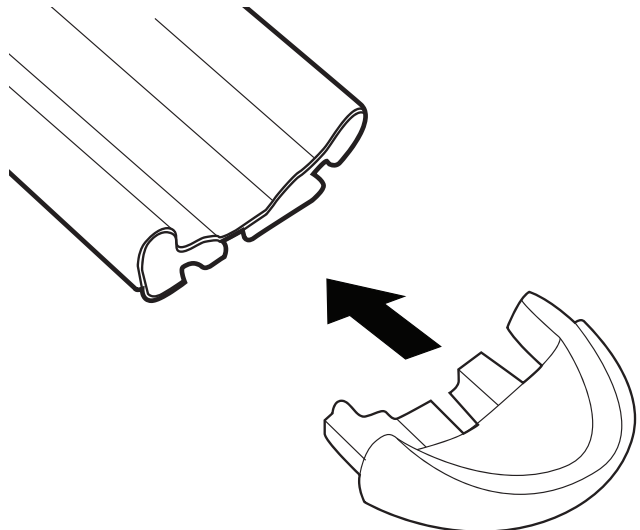
- 4** With the allen key provided. Unlock the grips at the opposite end of the unit from the Arm Assembly.



- 5** Slide the Wheel Tie Down Assemblies onto the Wheel Tray at both ends. Face the loose end of the strap to the outside of the vehicle.



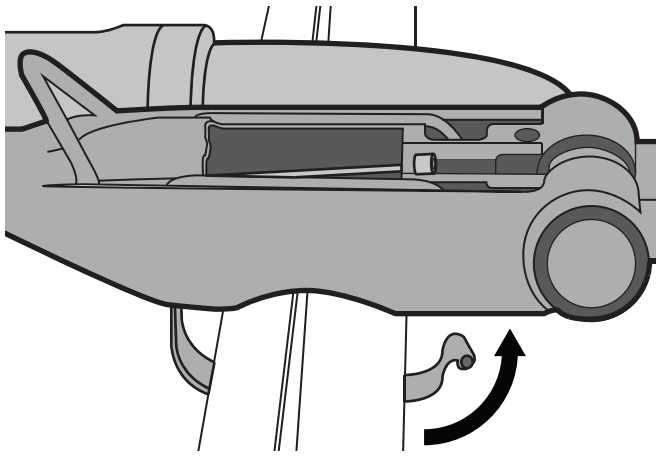
- 6** Insert the End Caps into both the front and rear of the unit.



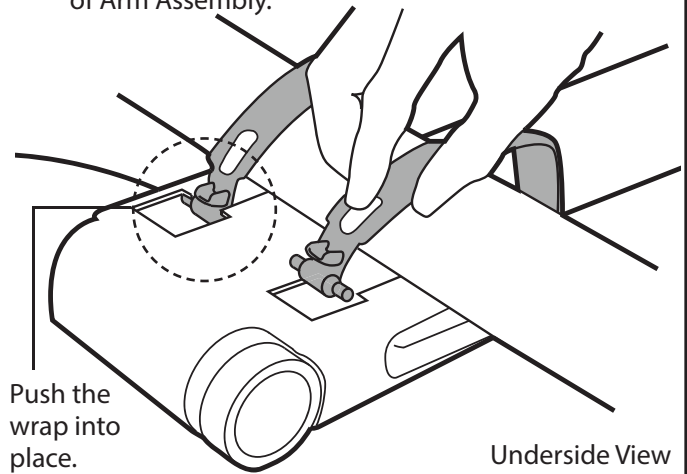


# Rhino-Rack Rocky Mount Bike Carrier (RBC050)

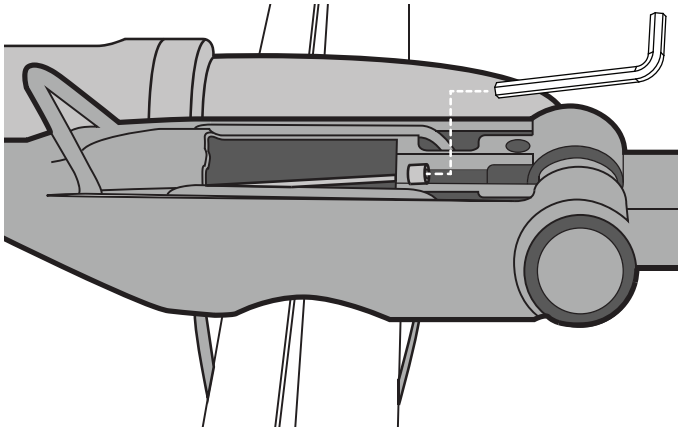
**7** Place the unit onto vehicle crossbars. Wrap the fixture straps under the bar as shown.



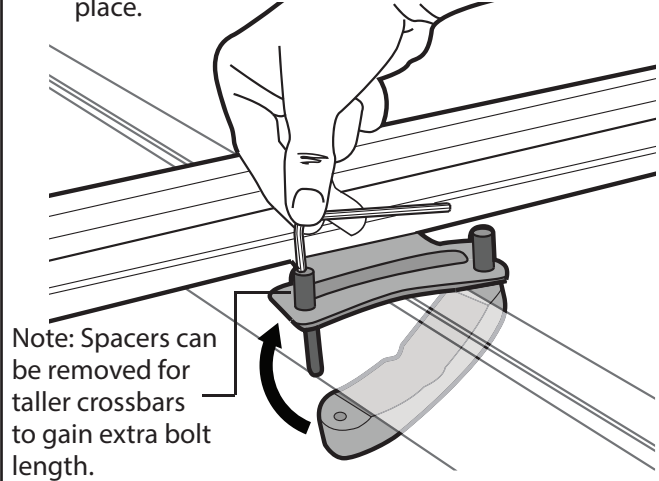
**8** The fixture wraps slip into place on the underside of Arm Assembly.



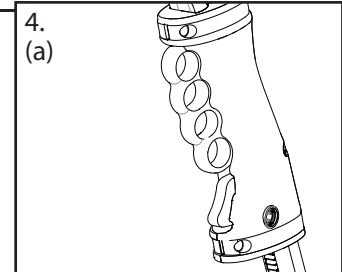
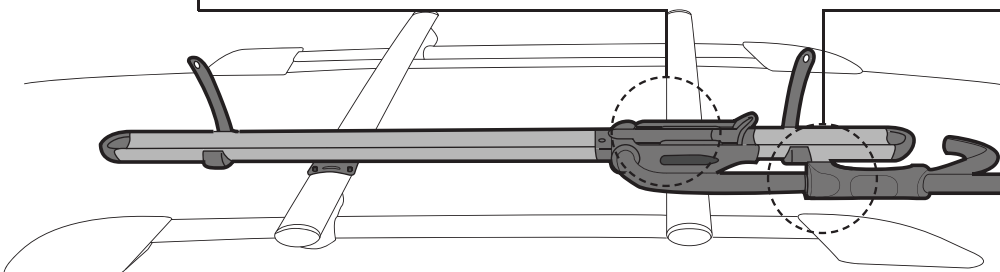
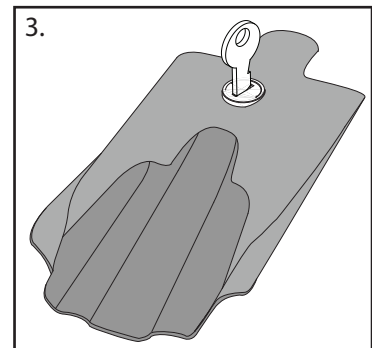
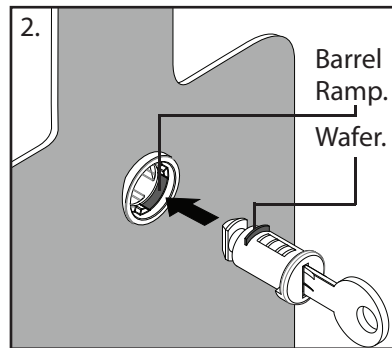
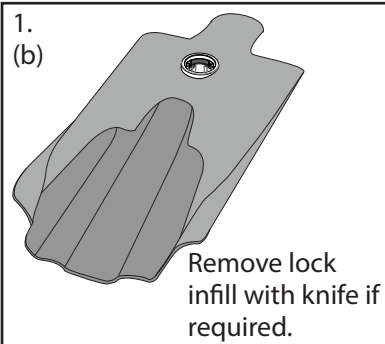
**9** Tighten the socket head on top of the Arm Assembly with the allen key provided. Tightening will engage the fixture wraps around the crossbar.



**10** Wrap the rear carrier grips around the rear crossbar. Using the allen key provided, tighten in place.



**11** 1: Have the Arm Assembly (a) and cover plate (b) on hand. 2: Put the Metal Key in the Locking Barrel. Line the wafer up with the barrel ramp and push the assembly into (a) and (b). 3: Install the cover plate into the carrier.

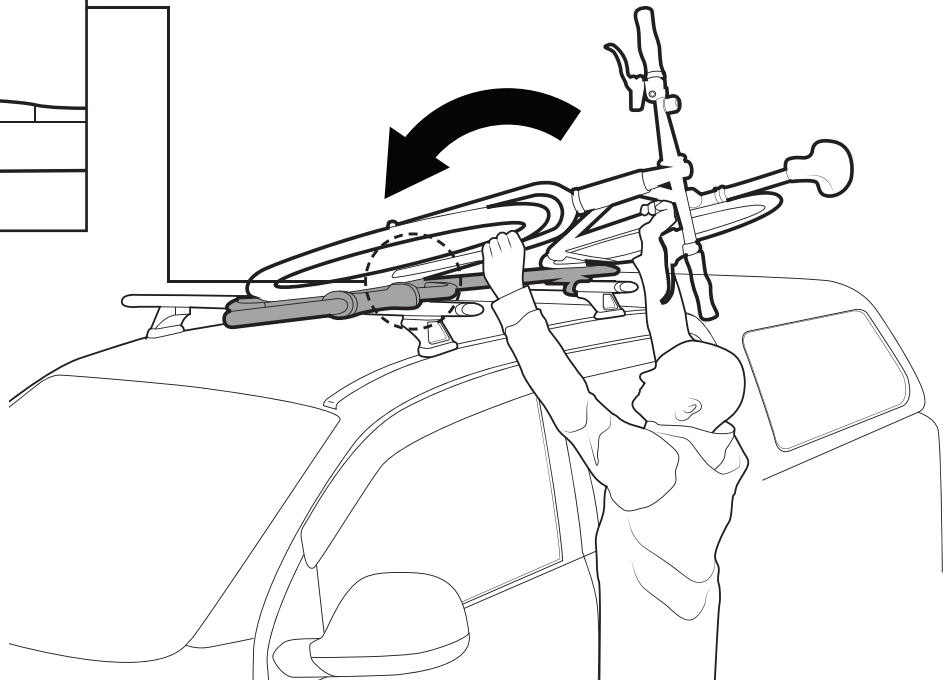
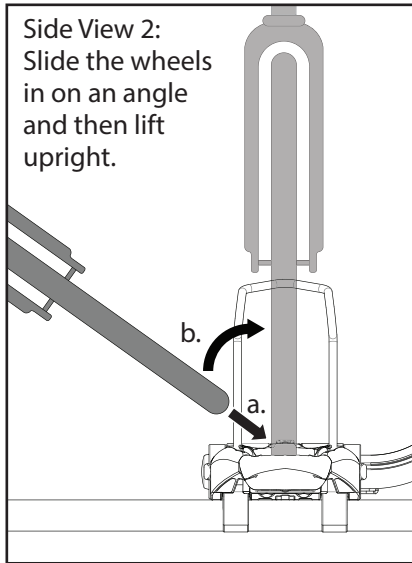
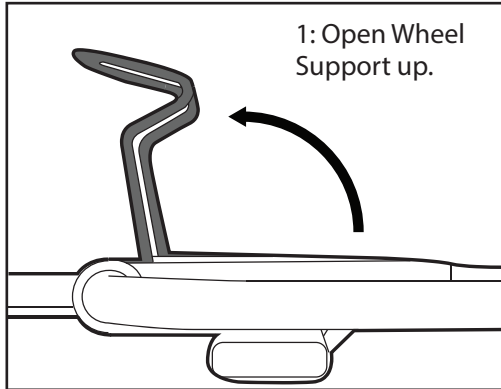




## Rhino-Rack Rocky Mount Bike Carrier (RBC050)

**12**

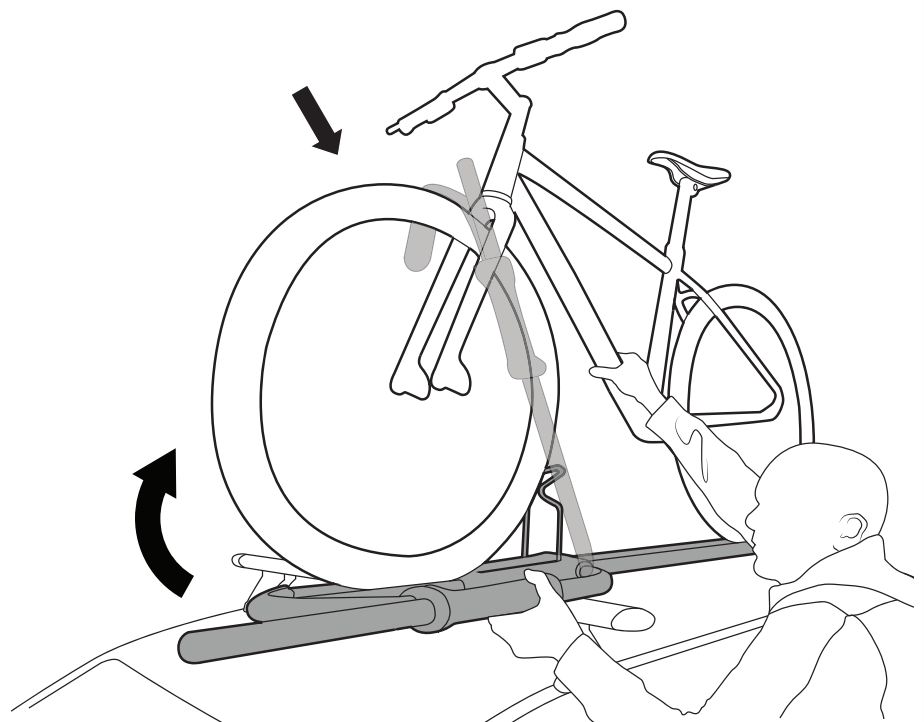
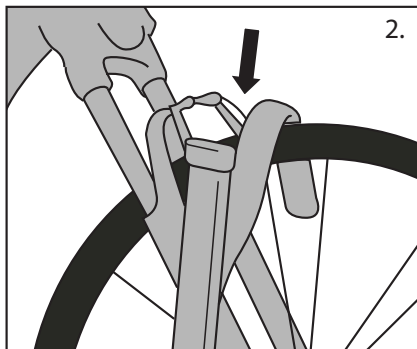
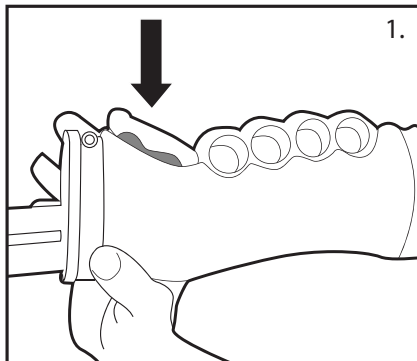
1: Swing open the Wheel Support Arm. 2: Carefully lift the bike up to the Carrier. Drop the wheels into the body of the Carrier. The far side of the Carrier will provide purchase as the bike is lifted into position. Be sure the Bikes front wheel sits in the Wheel Support.



Tall vehicle setup shown.

**13**

With the Bike in an upright position, depress the lock on the Arm Assembly and extend the arm over the front wheel of the bike. Pull the Arm hard onto the wheel. Make sure fitting is secure before releasing grip on bike.

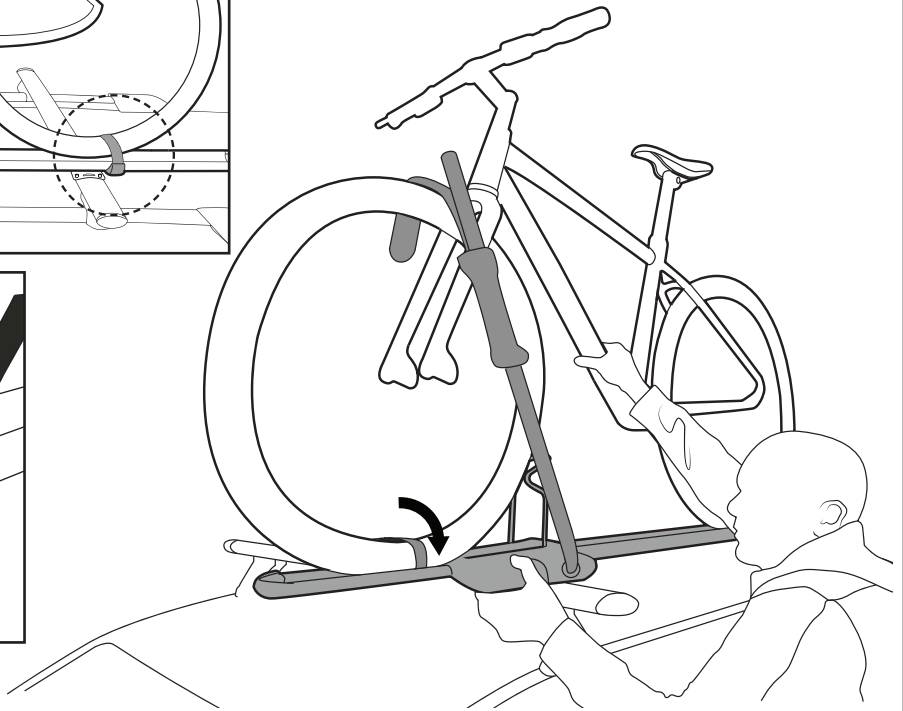
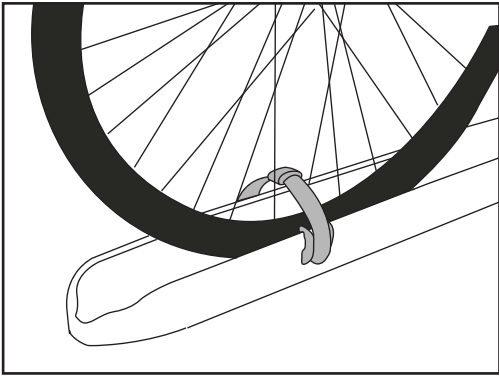
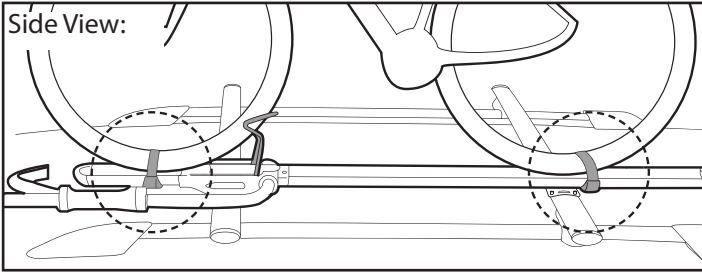




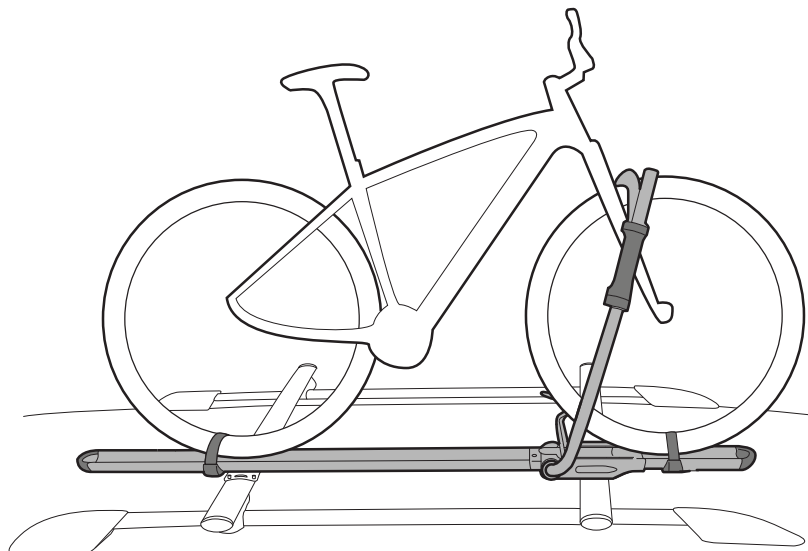
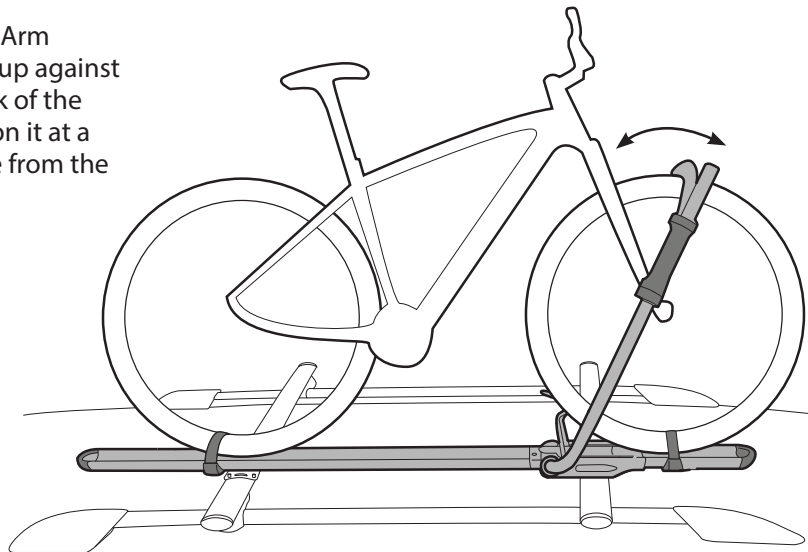
## Rhino-Rack Rocky Mount Bike Carrier (RBC050)

**14** Secure the Wheel Strap both front and rear of the Bike. Be sure both fittings are secure.

Side View:



Be sure to position Arm Assembly securely up against the front wheel fork of the bike. Do not position it at a significant distance from the fork.

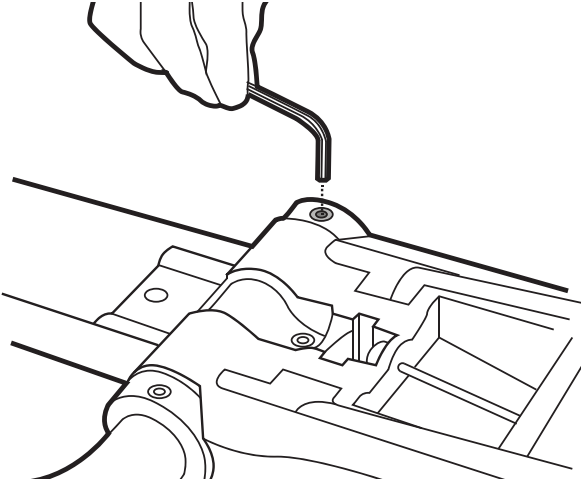




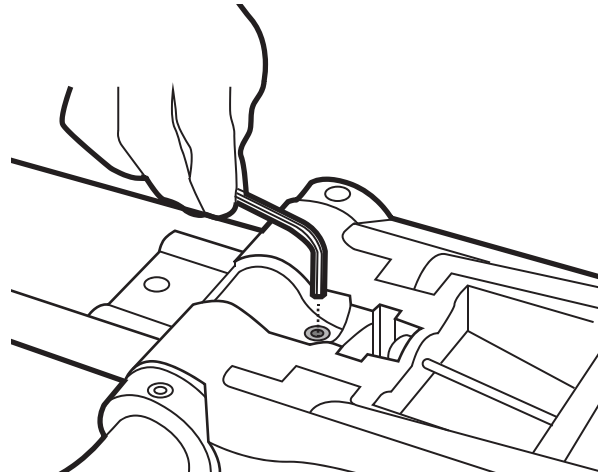
## Rhino-Rack Rocky Mount Bike Carrier (RBC050)

### Opposing Arm Assembly Installation

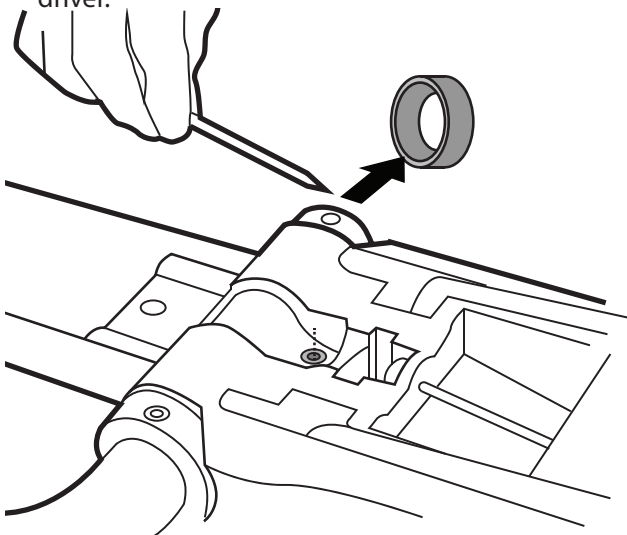
- 1** Remove cover plate from the Arm Assembly. With the provided allen key remove the hardware from the Arm Collar.



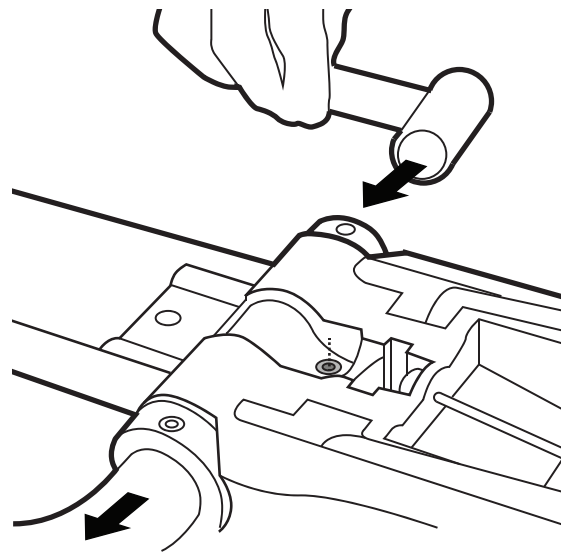
- 2** Loosen centre bolt hardware on the Arm Assembly. Do not fully remove.



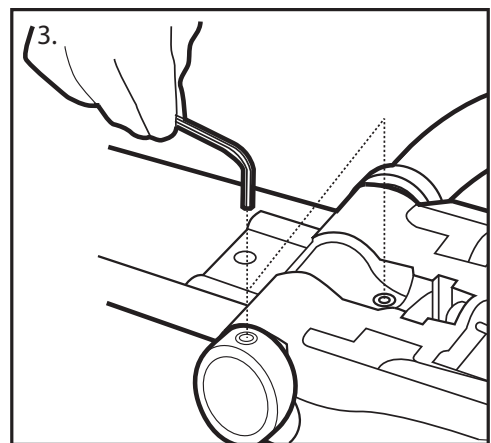
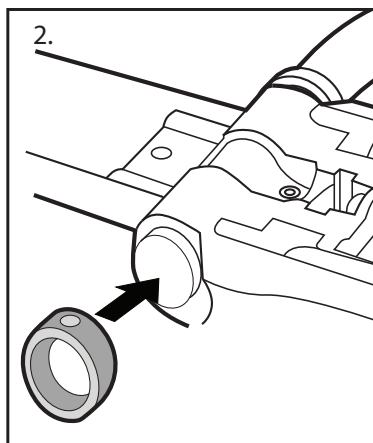
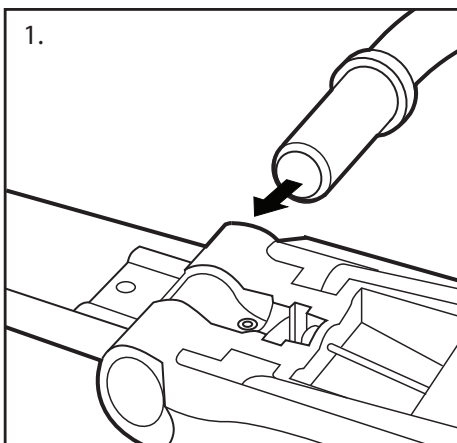
- 3** Remove the Arm Collar with a flat head screw driver.



- 4** Using a rubber mallet, tap out the Arm.



- 5** 1: Swap the Arm to opposite site and insert back into the unit. 2: Place the Arm Collar back into position. 3: Return collar hardware and tighten. Tighten centre bolt hardware.

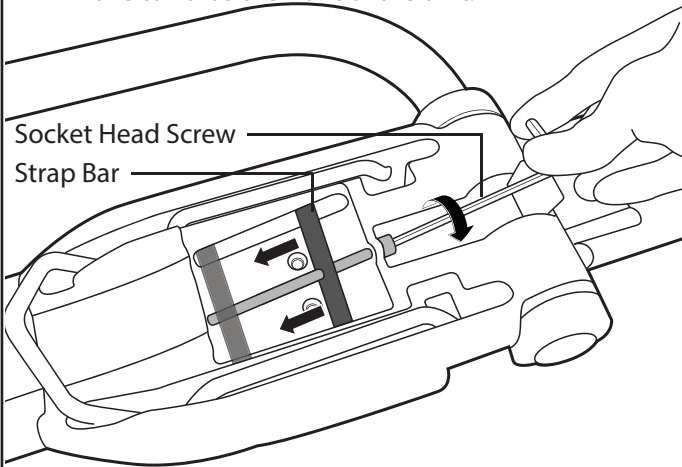




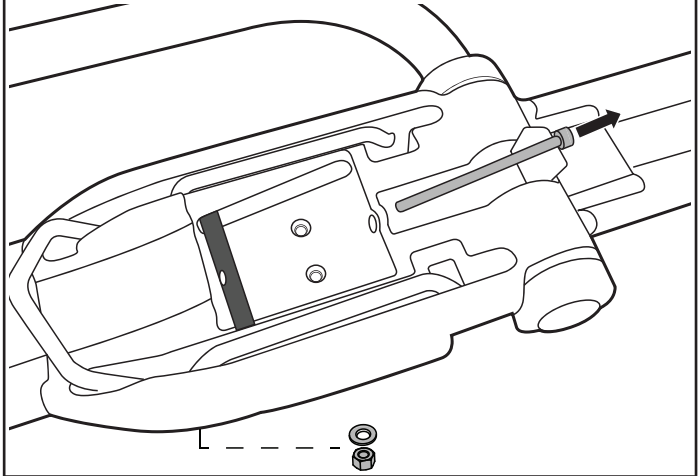
## Rhino-Rack Rocky Mount Bike Carrier (RBC050)

### Vortex Crossbar C-Channel Fitment \*RBCA034 Required

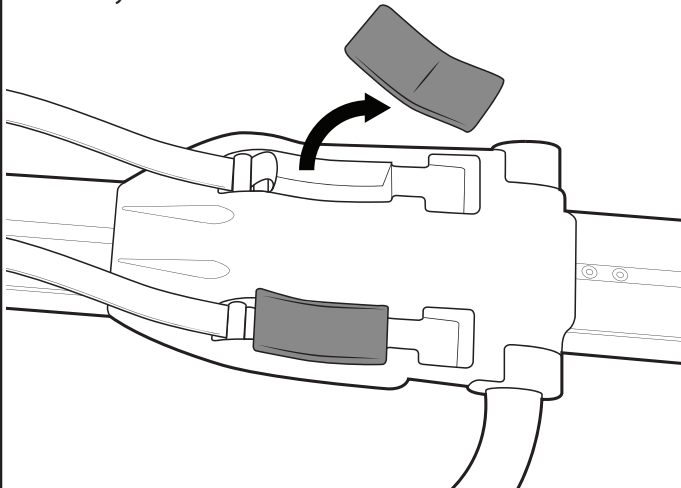
- 1** With the Cover Plate off the Arm Assembly and using the allen key provided, begin unscrewing the socket head screw within. Note the Strap Bar will move towards the front of the unit.



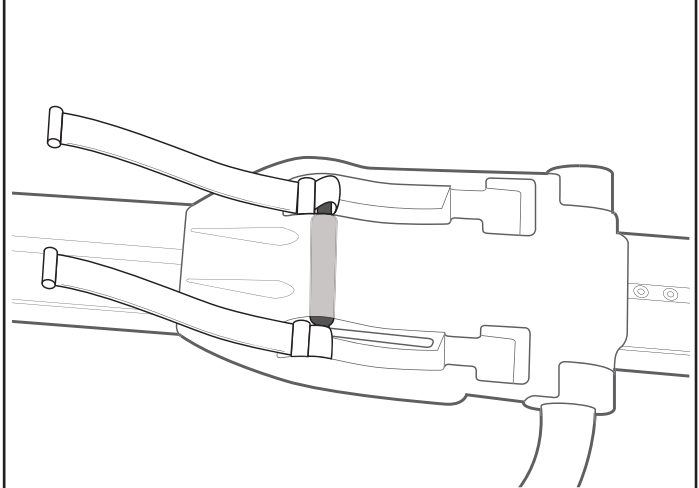
- 2** Continue to unscrew the socket head screw until it comes free. Be sure to collect the M6 flat washer and nut that will drop out under the unit.



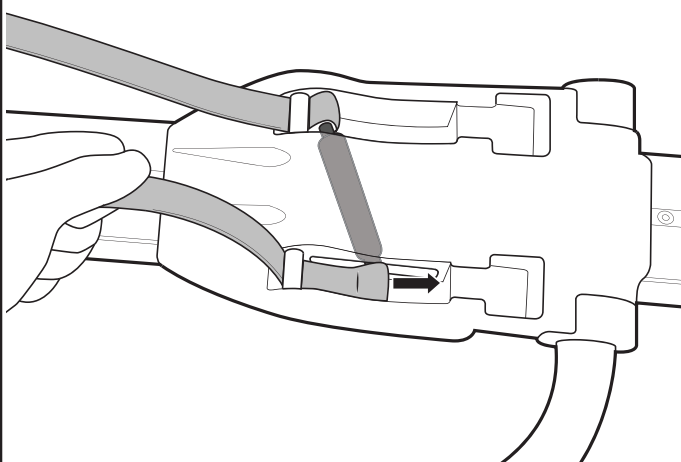
- 3** Turn the Arm Assembly over. Remove the Rubber Pads from the underside of the unit. Do not throw away.



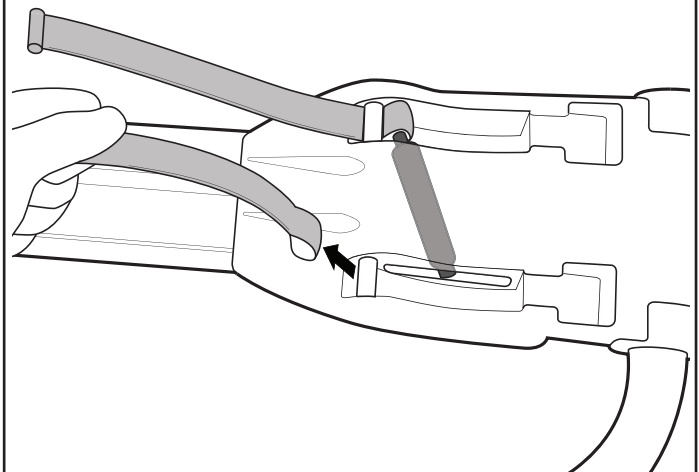
- 4** Note the position of the Strap Bar, this holds the straps in place.



- 5** Take one of the straps and push it forward as shown. This will release one side of the Strap Bar from the strap.



- 6** Remove both straps. The Strap Bar should fall out of the Arm Assembly. Store in a safe place.

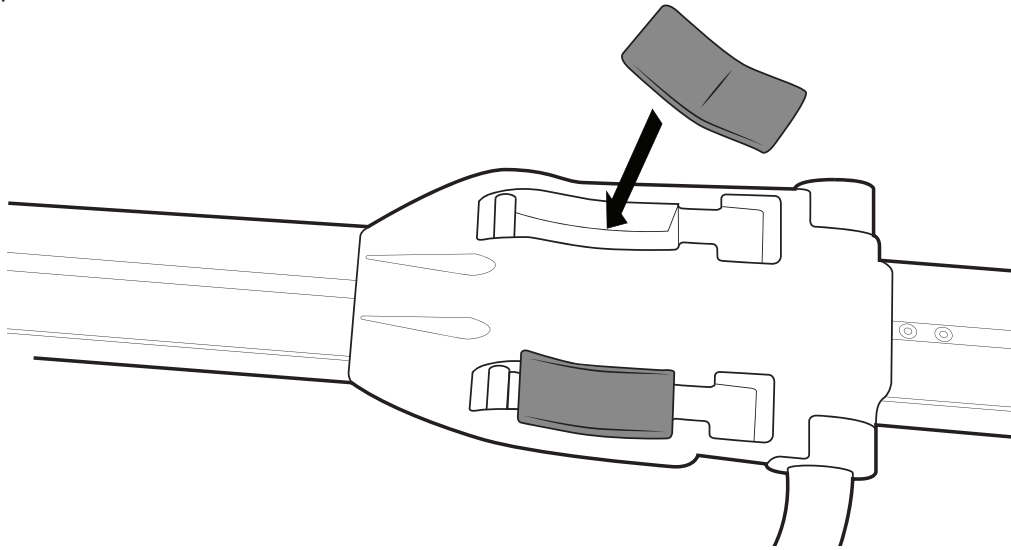




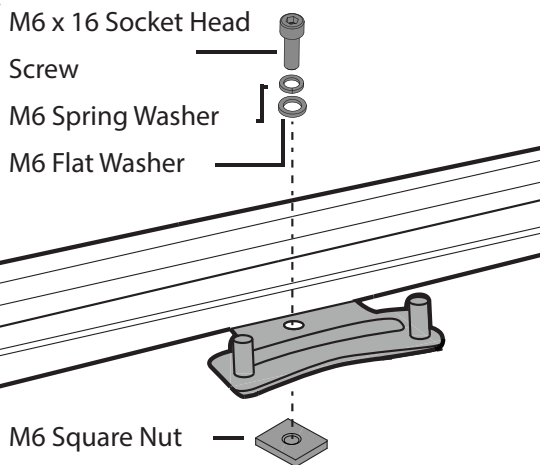


## Rhino-Rack Rocky Mount Bike Carrier (RBC050)

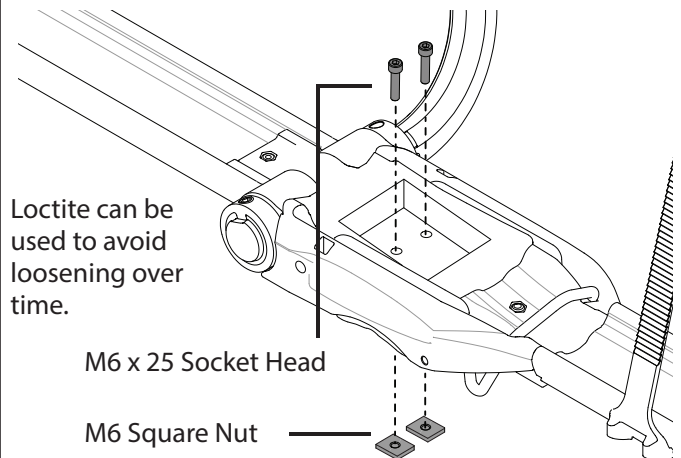
- 8** Replace the Rubber Pads onto the bottom of the unit.



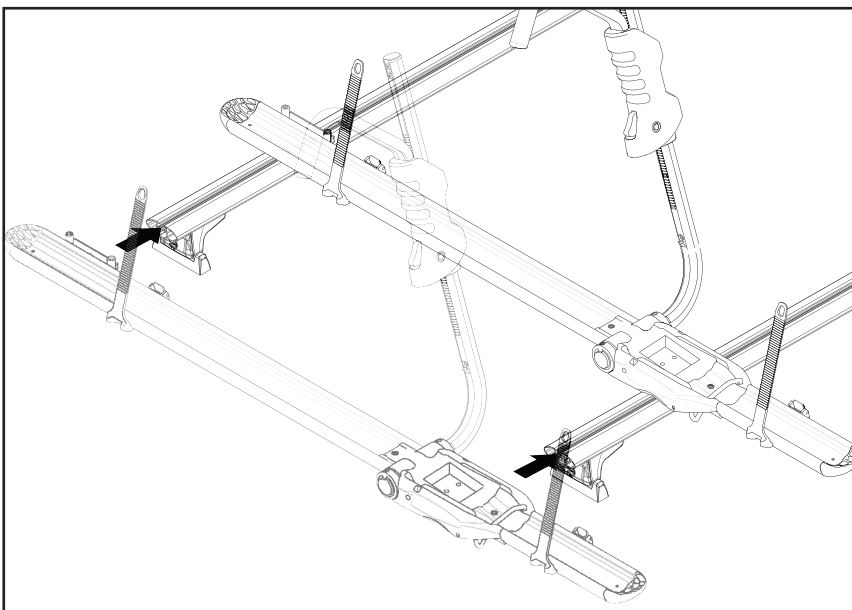
- 9** Loosely fit the M6 x 16mm socket screw, spring and flat washers with an M6 square nut to the rear of the carrier. This hardware is located in the RBCA034 fit kit.



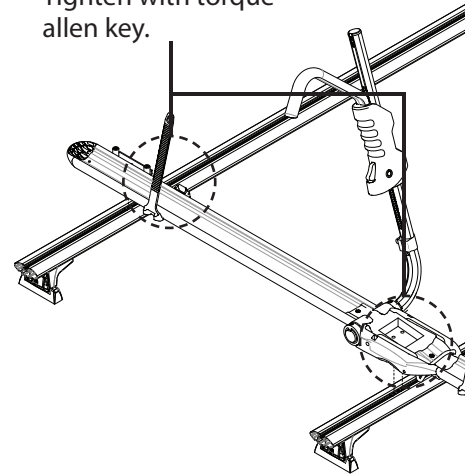
- 10** Loosely fit the M6 x 25mm socket screws with M6 square nuts to the front of the carrier. This hardware is located in the RBCA034 fit kit.



- 11** Slide the carrier into the C channel of the crossbars as shown. Using the torque allen key provided in the RBCA034 kit, fix RBC050 into place. Check fitment is secure before use.



Tighten with torque allen key.



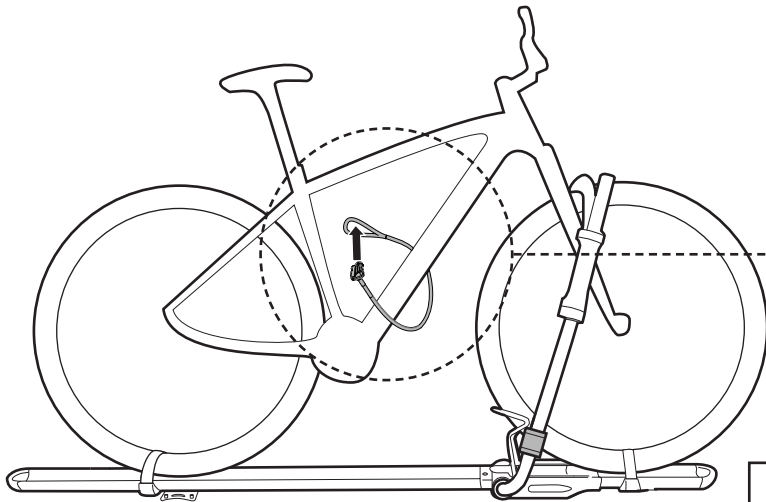


## Rhino-Rack Rocky Mount Bike Carrier (RBC050)

### Securing Bike

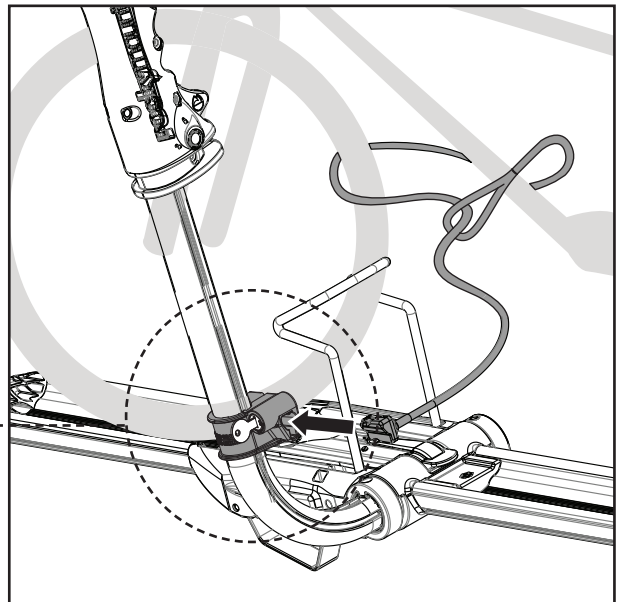
1

- 1: Loop the Cable Lock around the bike frame.
- 2: Place the Cable lock into the Housing on the Assembly Arm. Lock using the key provided. Remove the key.



Attach the Cable to the Bike frame as shown.

Clip the Cable into the Housing and lock using the key provided.

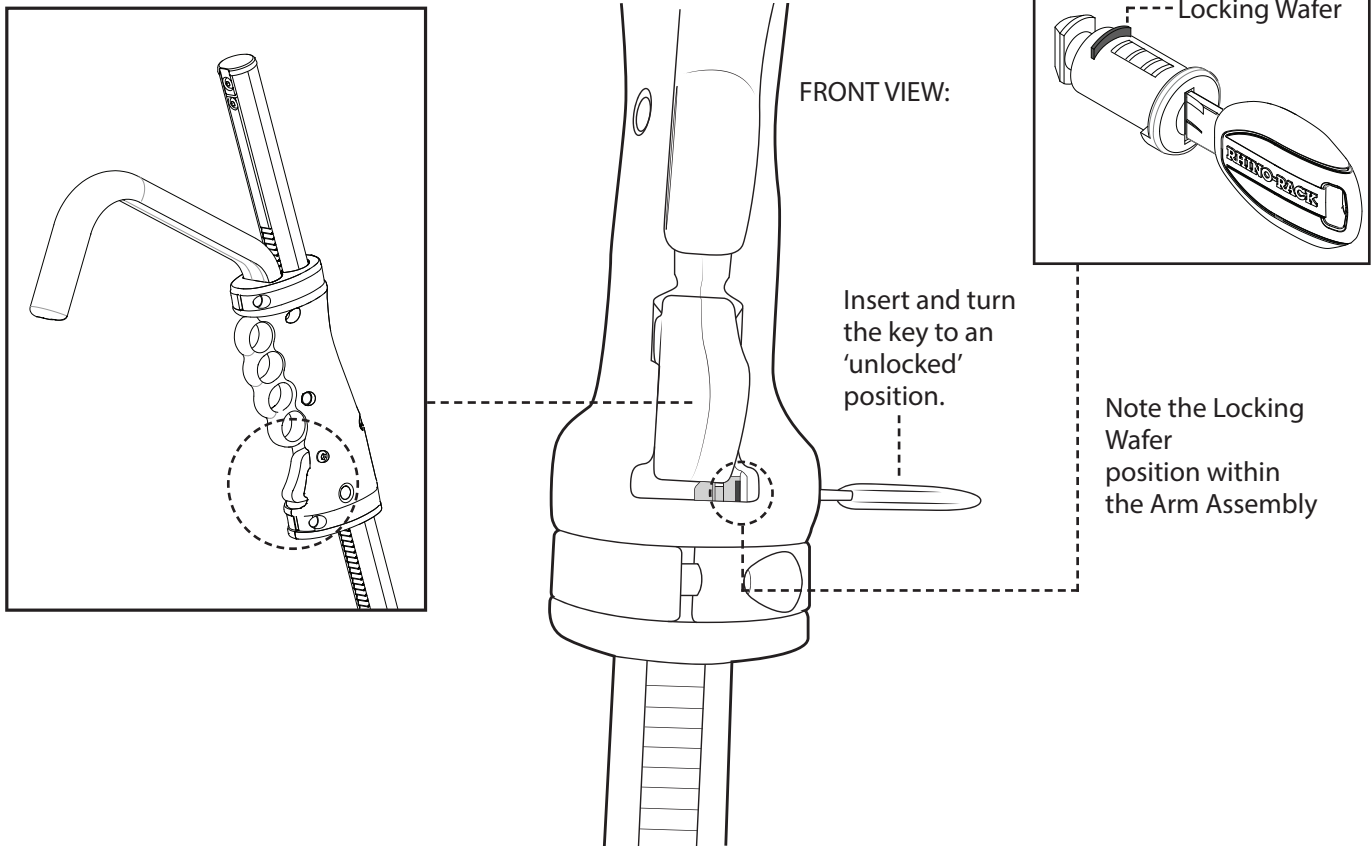




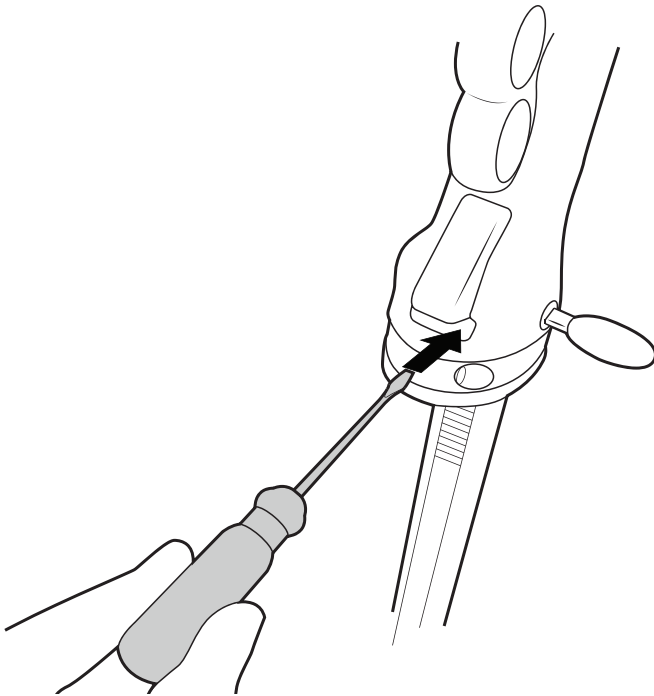
## Rhino-Rack Rocky Mount Bike Carrier (RBC050)

### Removing Key Barrel (For Master Key Fitment)

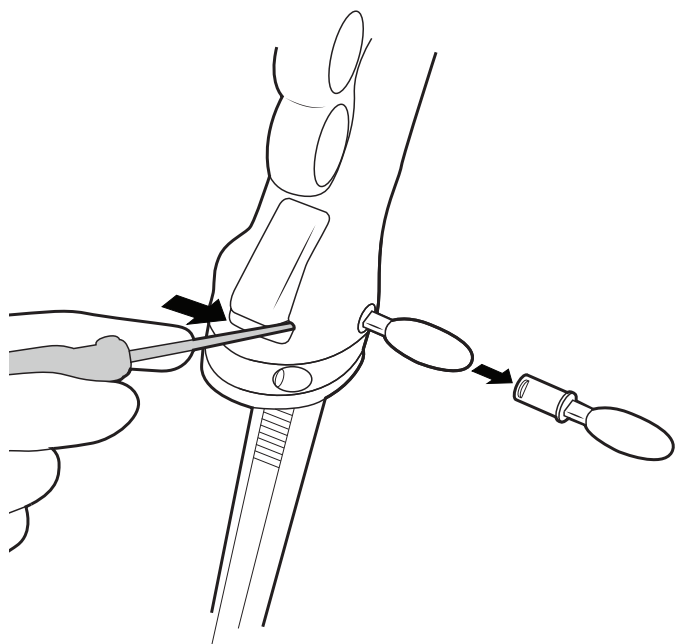
- 1** Locate the trigger on the Arm Assembly. Insert the Metal Key into the Lock Barrel and set to the 'unlocked' position. The Locking Wafer on the Barrel should be visible.



- 2** Use a flat head screwdriver to depress the Wafer within the Arm Assembly.



- 3** With the Wafer still depressed, carefully push the Lock Barrel out of the unit.



Master Keys Sold as separate\*

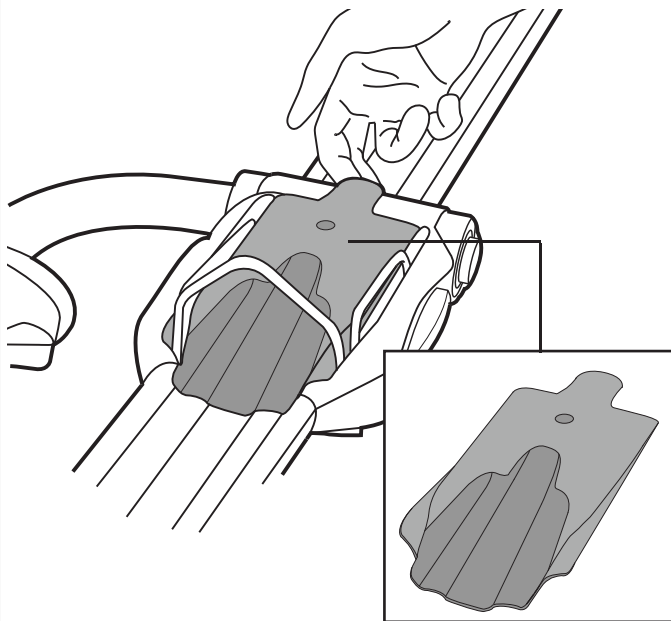
**Fit Master Key as per instruction (sold separately)**



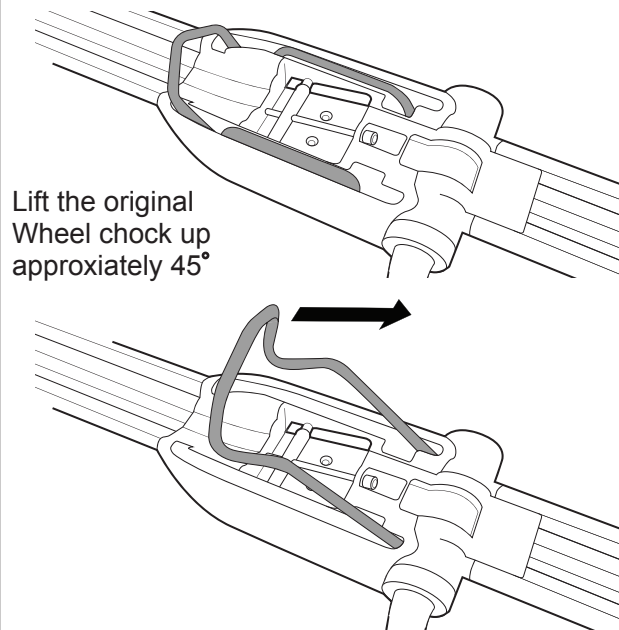
## Rhino-Rack Rocky Mount Bike Carrier (RBC050)

### Fat Wheel Adaptor Fitment RBCA033 (sold separately)

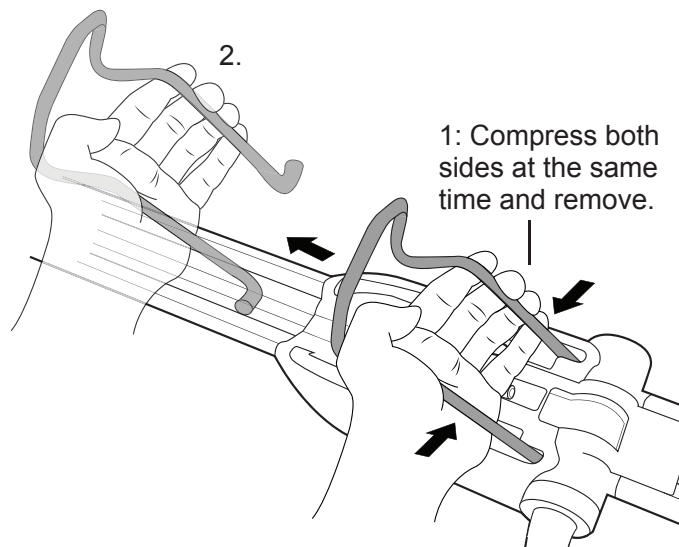
**1** Remove the Cover Plate on the Arm Assembly.



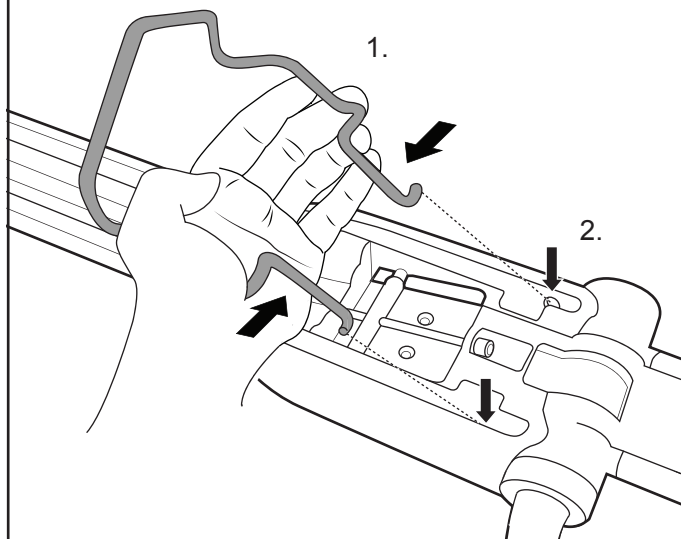
**2** Lift the Wheel Chock up partially.



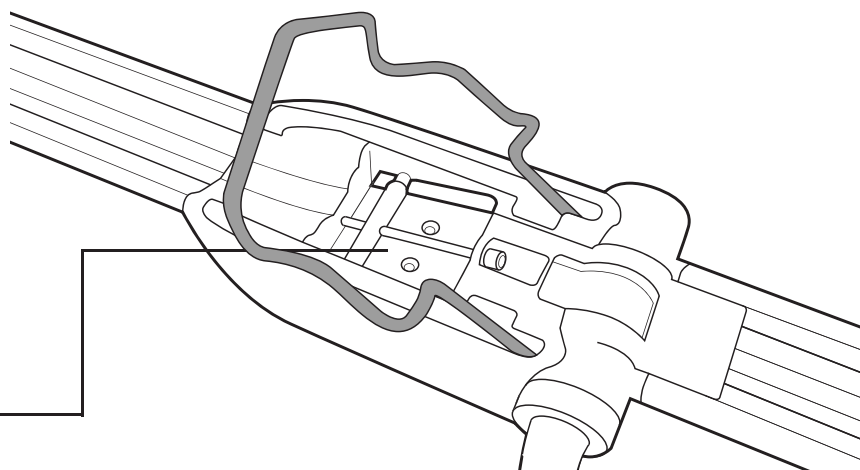
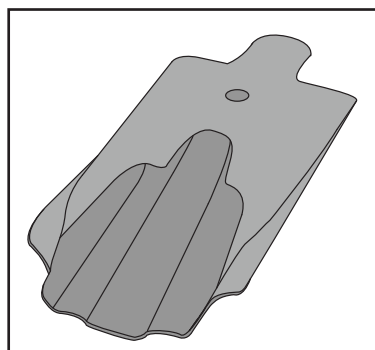
**3** 1: Compress both sides of the Wheel Chock inwards. 2: This with release it from the Carrier. Remove the Chock.



**4** Compress both sides of the Fat Wheel Chock inwards. Slide it into the same orientation and position as the original Chock.



**5** Replace the Cover Plate onto the Carrier.





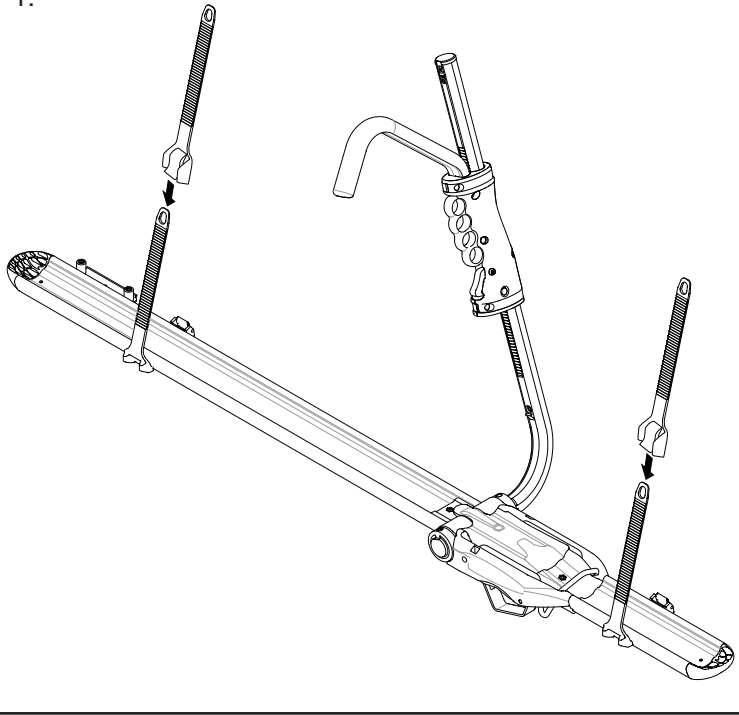
## Rhino-Rack Rocky Mount Bike Carrier (RBC050)

6

1: Slide the Wheel Strap Extension over the Wheel straps already fixed to the Carrier.

2: Secure the Extended Wheel Straps both front and rear of the Bike. Be sure both fittings are secure.

1:



2:

