



RHINO-RACK

S606 Vortex Underbar Retainer

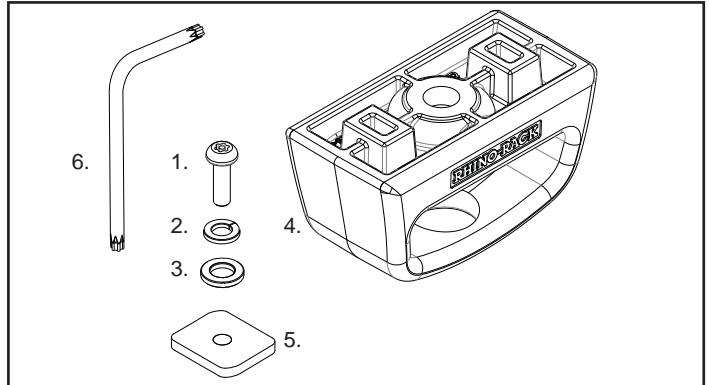
- | | |
|--|--|
| 1. <input type="checkbox"/> Check Part No./Kit is correct | 3. <input type="checkbox"/> Fit roof rack accessory |
| 2. <input type="checkbox"/> Read through instruction before installing | 4. <input type="checkbox"/> Check and recheck all fasteners are secure |

Parts List

Item	Component	Qty	Part No.
1	M6 x 20mm Torx Screw	2	B243
2	M6 Spring Washer	2	W003
3	M6 x 12.5mm Flat Washer	2	W004
4	Crossbar Strap Retainer	2	M870
5	M6 Nut 24mm x 21mm	2	N057
6	T27 Torx Key	1	H054
7	Instructions	1	R1349

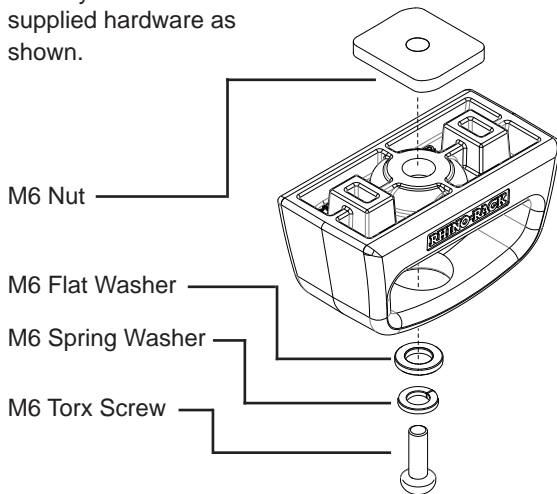
Note: For use with vortex crossbars. Tie down straps sold as separate. Always be sure load is secure before driving.

Tools required: Torx key (provided). Tie down straps.

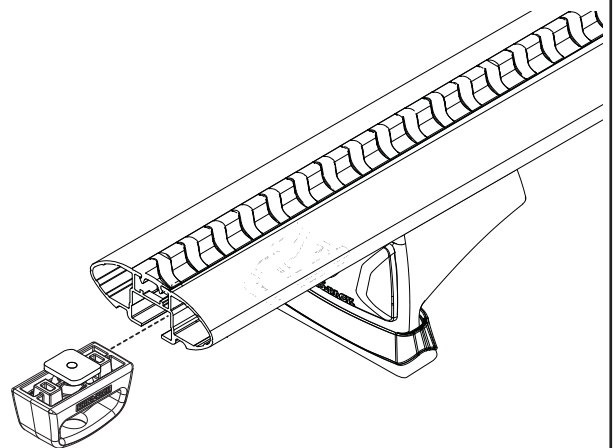


Instructions

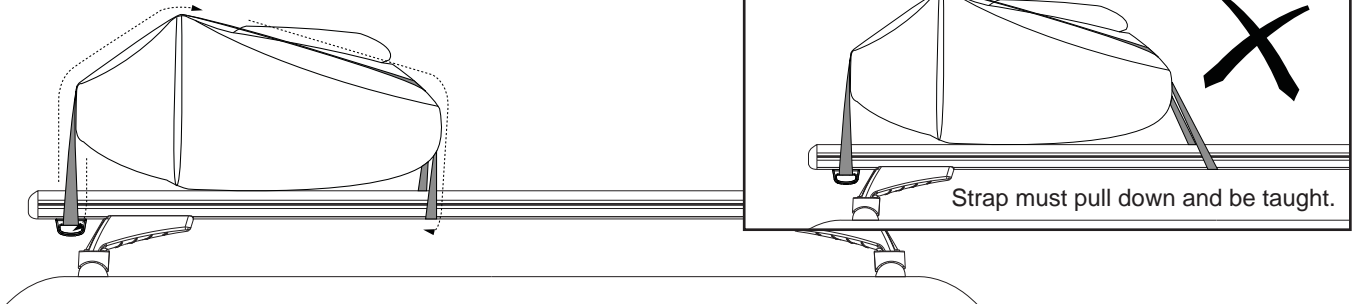
1 Loosely assemble the supplied hardware as shown.



2 With the end cap removed from the crossbar, slide the assembly into position (front and rear) and tighten in place with the torx key provided. Replace the end cap.



3 Use a tie-down strap, and pull the strap through the strap retainer. Take the strap over the load, around and under the crossbar, and back through the locking mechanism on the strap. Ensure the strap is pulling down and taught. This will ensure the load cannot slide out.



Note for Dealers and Fitters:

It is your responsibility to ensure these fitting instructions are given to the end user or client.

Rhino-Rack 3 Pike Street, Rydalmere,

NSW 2116, Australia.

(Ph) (02) 9638 4744

(Fax) (02) 9638 4822

Document No: R1349

Prepared By: Kayle Everett

Authorised By: Chris Murty

Fit Time: 5min per Bar

Issue No: 01

Issue Date: 02/05/2017

These instructions remain the property of Rhino-Rack Australia Pty. Ltd. and may not be used or changed for any other purpose than intended.