

RHINO-RACK®

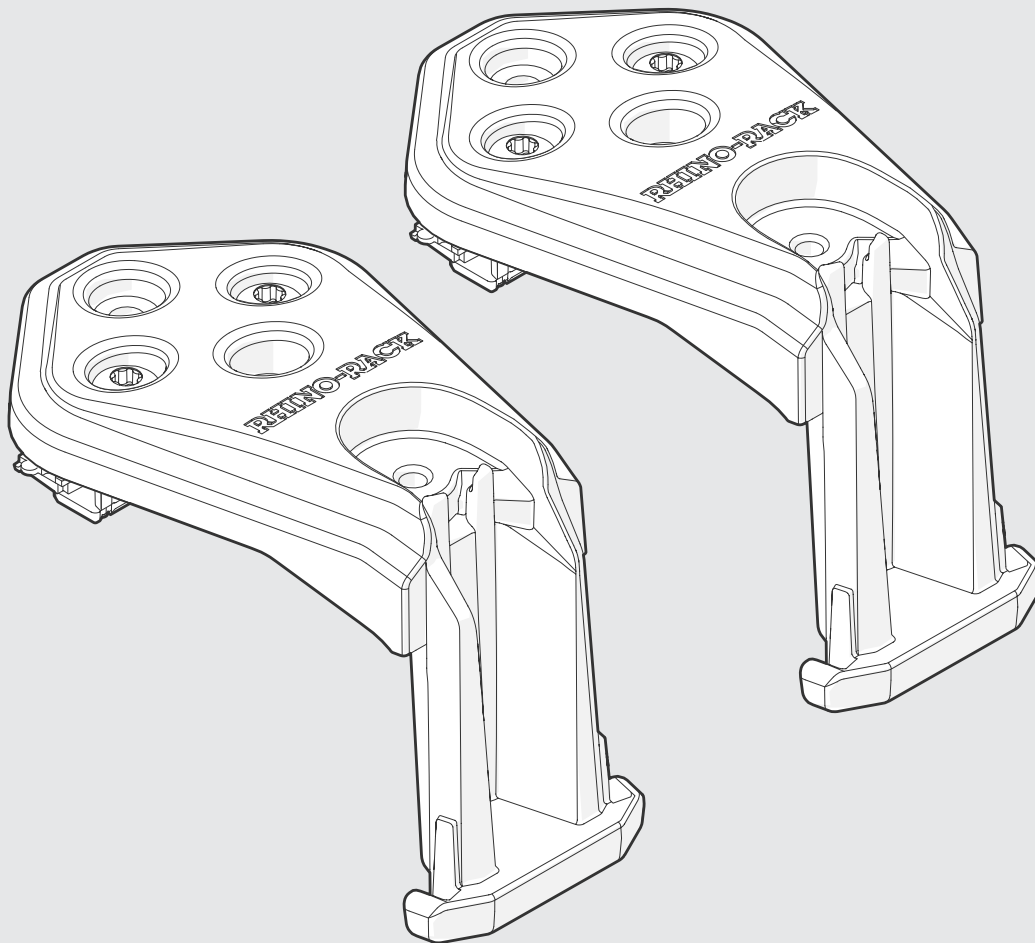
Stow-it Base Bracket 2 Pack SSIT2

Important:

1. Check the Rhino-Rack website to ensure you have the latest issue of these instructions.
2. Please refer to your fitting instruction to ensure that the roof racks are installed in the correct locations.
3. Check the contents of kit before commencing fitment and report any discrepancies.
4. Place these instructions in the vehicle's glove box after installation is complete.
5. These instructions must be followed for warranty to be upheld.

Fit Time: 30 mins

STOW IT™



RHINORACK.COM

Doc. No: 520-RFI-00130

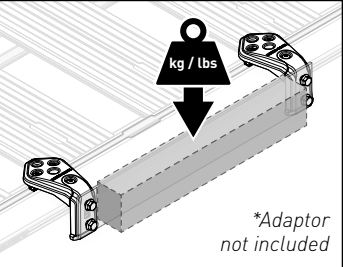
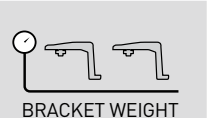
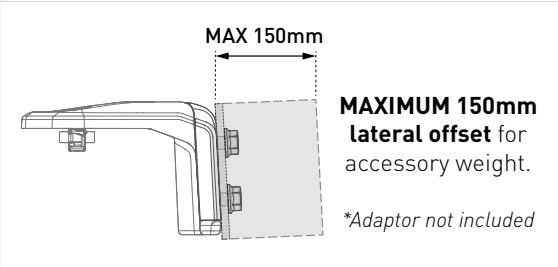
Issue No: 02

Issue Date: 24/05/2023

Carrying Capacity

The maximum permissible cargo capacity on a pair of Brackets is **20kg/44lbs**.

*Check the vehicle owners hand book for your vehicle manufacturer’s maximum carrying capacity. Do not exceed the vehicle manufacturer’s maximum roof carrying capacity. The weight of the roof racks, that the accessory is attached to, must also be included in the total vehicle roof load.

MAXIMUM LOAD: 20kg / 44lbs load limit per bracket pair.		 <p>BRACKET WEIGHT</p> <p>0.3kg / 0.6lbs PER PAIR</p>	 <p>MAX 150mm</p> <p>MAXIMUM 150mm lateral offset for accessory weight.</p> <p>*Adaptor not included</p>
---	---	---	---

Warning

- Check part number or kit is correct for use with your vehicle.
- Do not attempt to fit the accessory to your vehicle unless you fully understand these fitting instructions. Please direct any questions regarding fitting to the dealer from where the roof racks were purchased.
- Off-road conditions can be much more rigorous. Extreme care must be taken on any driven path that does not contain a surface protection layer (tar/bitumen).
- Roof racks must be removed when vehicle is put through an automatic car wash.
- Always ensure you fasten your load securely.

In service maintenance checks

- All bolt connections should be checked after driving a short distance when you first install your roof racks.
- All bolted connections should be checked again at regular intervals (weekly is recommended, depending on road conditions, usage, loads and distances travelled).
- All bolted connections should be checked each time they are re-fitted.
- Off-road conditions are more rigorous. Check all bolted connections and your load more regularly.
- Ensure that your vehicle manufacturer’s GVM, and gross axle weights are not exceeded (refer to vehicle owner’s manual).

Torque Settings:

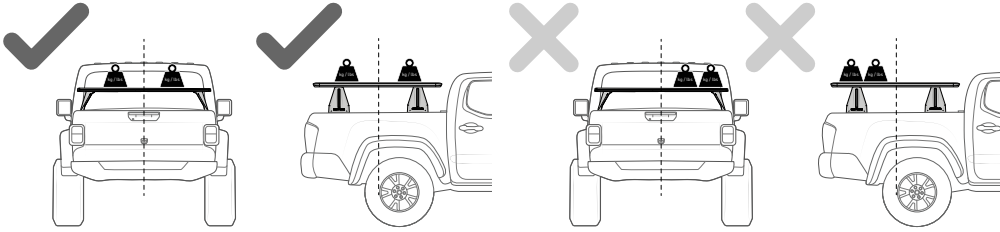
Unless stated otherwise in these instructions, all fasteners should be set to the following torque settings:

 <p>4-5Nm 3-4lbs/ft</p>	 <p>8-10Nm 6-7.5lbs/ft</p>	 <p>16-18Nm 12-13lbs/ft</p>
---	--	---

Note for Dealers and Fitters

It is your responsibility to ensure these fitting instructions are given to the end user or client. These instructions remain the property of Rhino-Rack Australia Pty. Ltd. and may not be used or changed for any other purpose than intended.



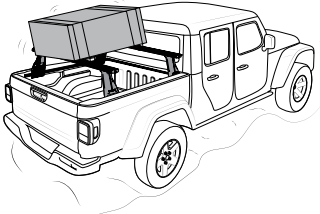
Avoid point loads concentrated in the centre span.
Distribute large loads over the span.



The handling characteristics of the vehicle changes when a load is transported on the vehicle exterior.

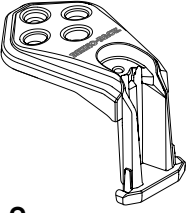
Exercise extreme care when transporting wind-resistant loads. Special consideration must be taken when cornering and braking.

Off-road conditions can be much more rigorous. Extreme care must be taken in off-road conditions.

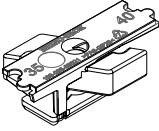
Parts List

Base Bracket



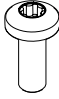
A x2

ZWIFLOC..




B x4

M6 x 16 Torx Pan Head Screw



C x4

T30 Torx Bit




D x1

VA Bar Channel Nut



E x4

Fitting Instructions



F x1

TOOLS REQUIRED:

T1 - Torque Tool (Supplied with Pioneer Platform)

T2 - Scissors (For VA bars)

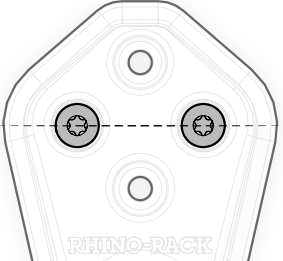
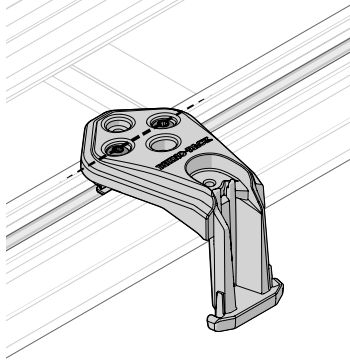
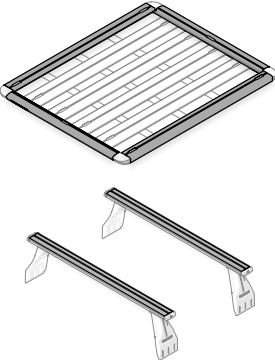
CONTENTS:

For installation onto **Pioneer Platforms** and **Reconn Deck Bars** complete Steps **1** - **5**

For installation onto **Vortex Bars**, complete Steps **6** - **10**

MOUNTING CONFIGURATIONS:

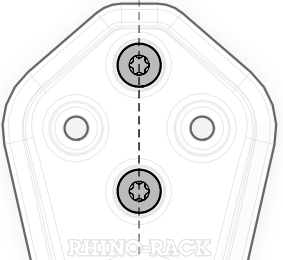
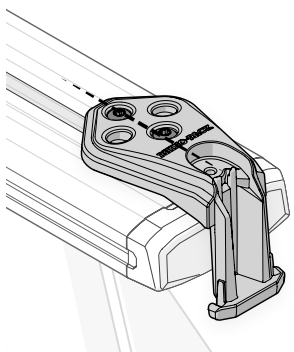
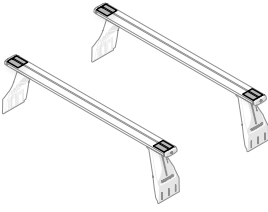
TRANSVERSE

PIONEER

CROSS BARS

IN-LINE

CROSS BARS

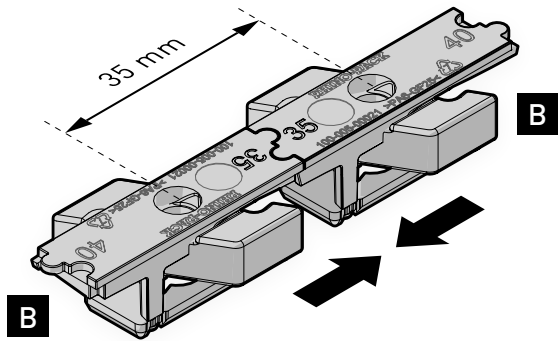
RECCON-DECK

VORTEX

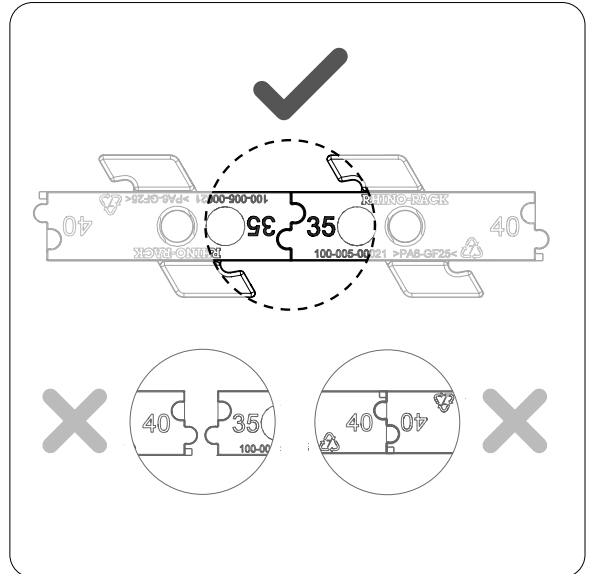
FOR INSTALLATION ONTO PLATFORMS / RECONN DECK BARS

(For VORTEX CROSS BARS, skip to Step 6)

1

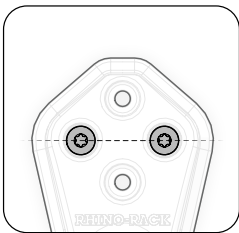


Join the 35 - 35 sides to create 35mm spacing between the two centres.

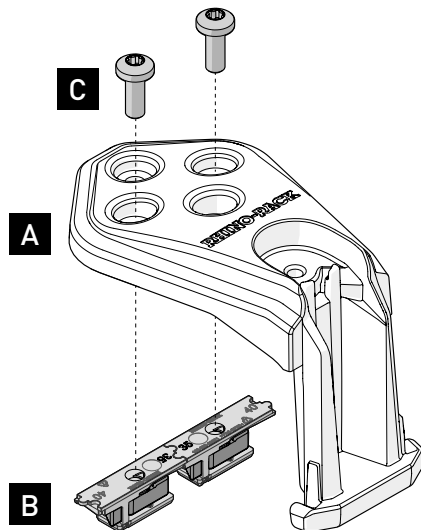


2

TRANSVERSE

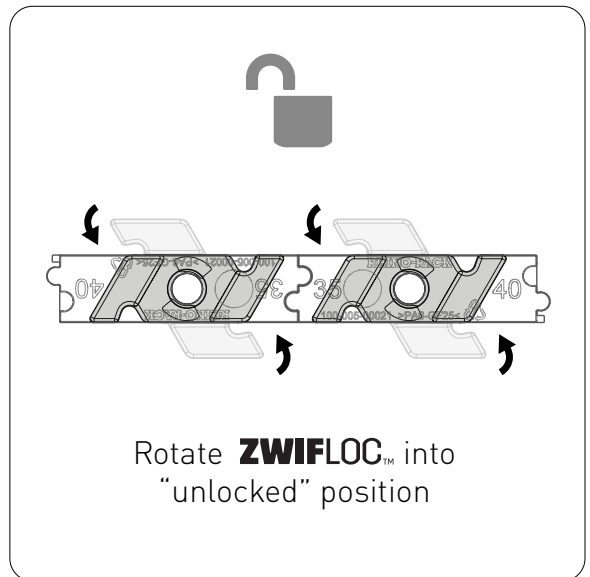
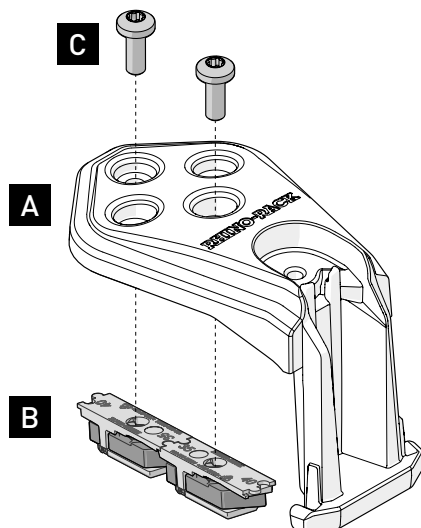
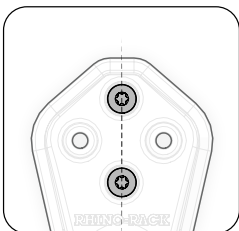


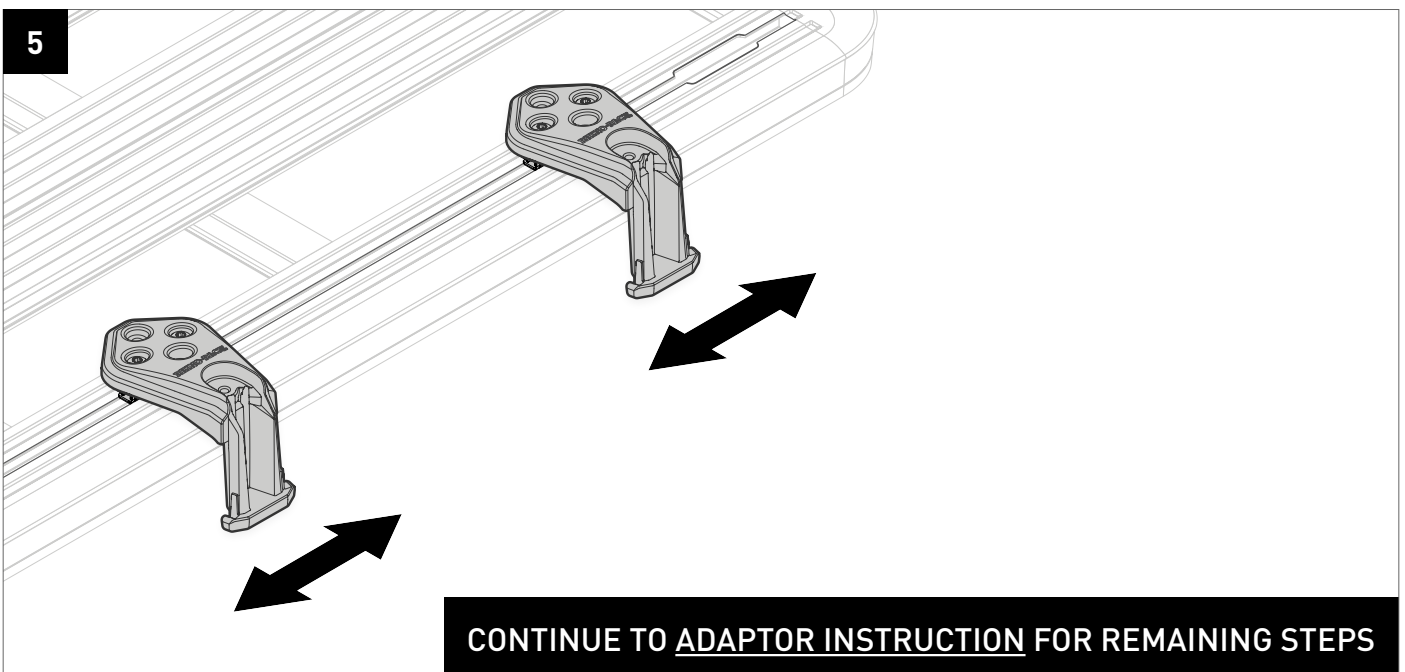
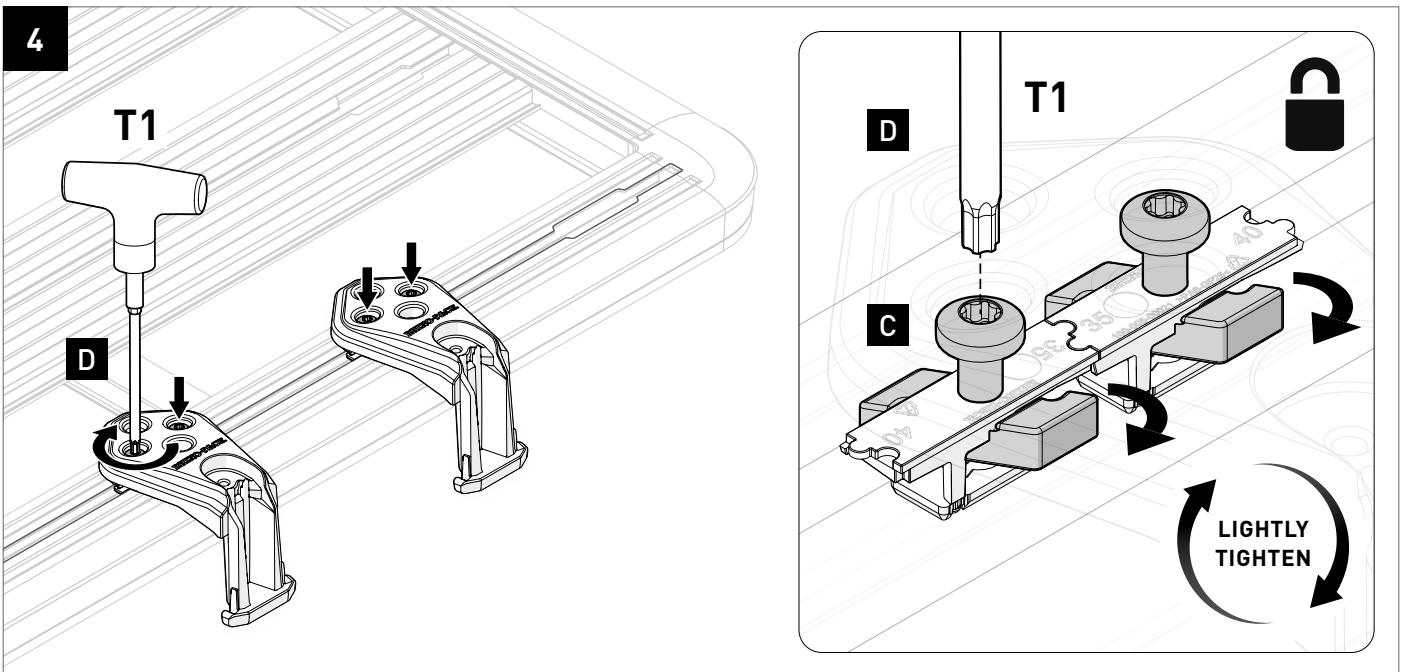
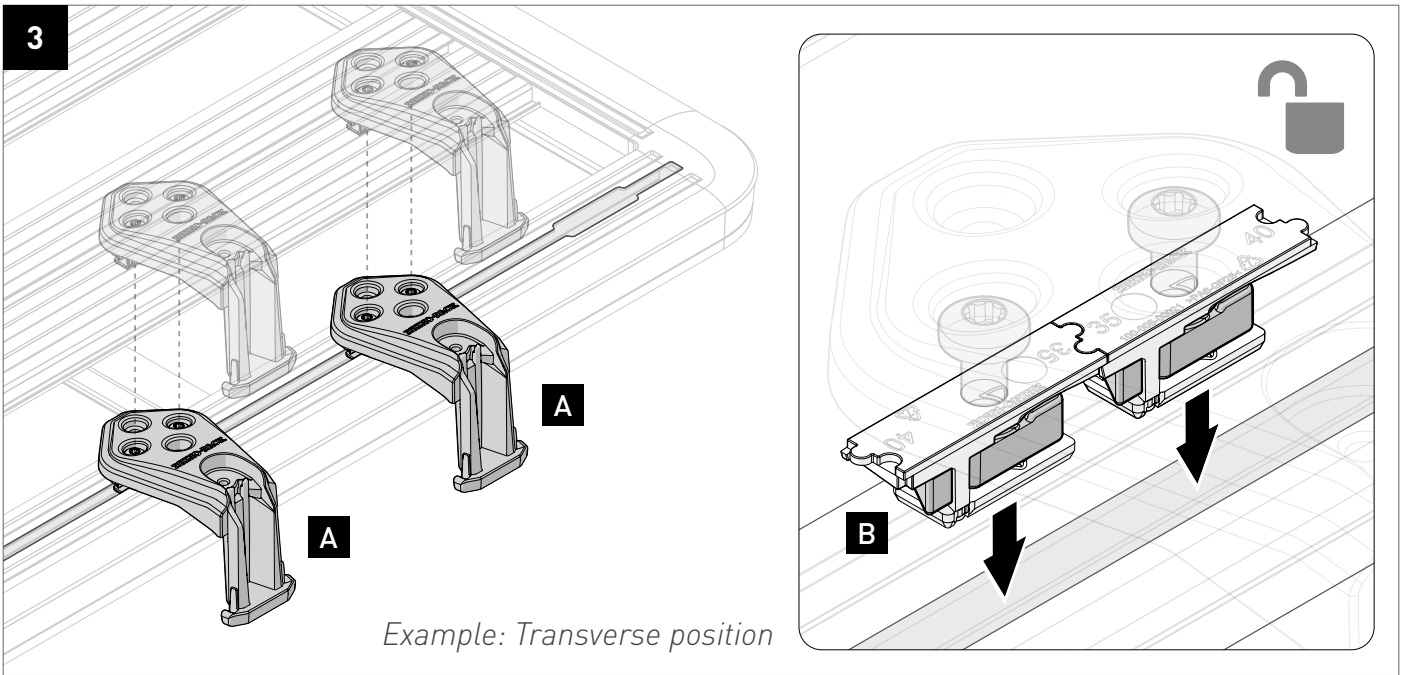
Transverse depicted in following steps



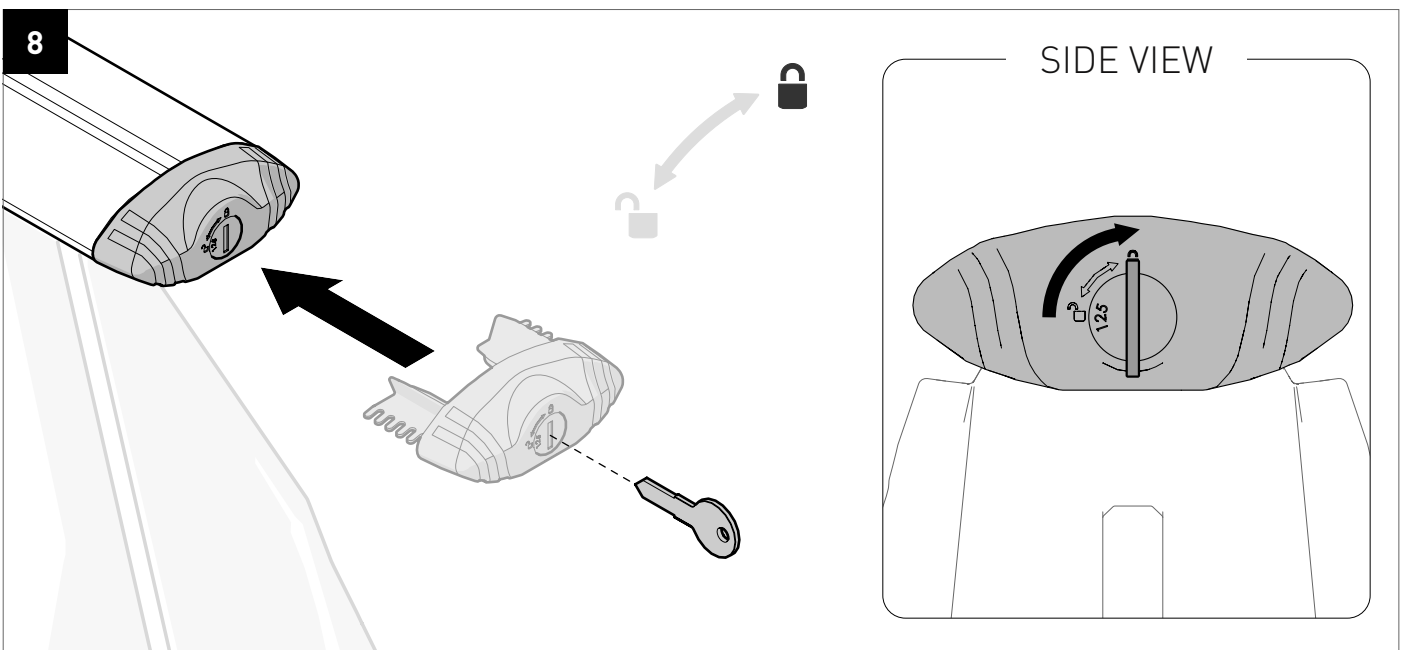
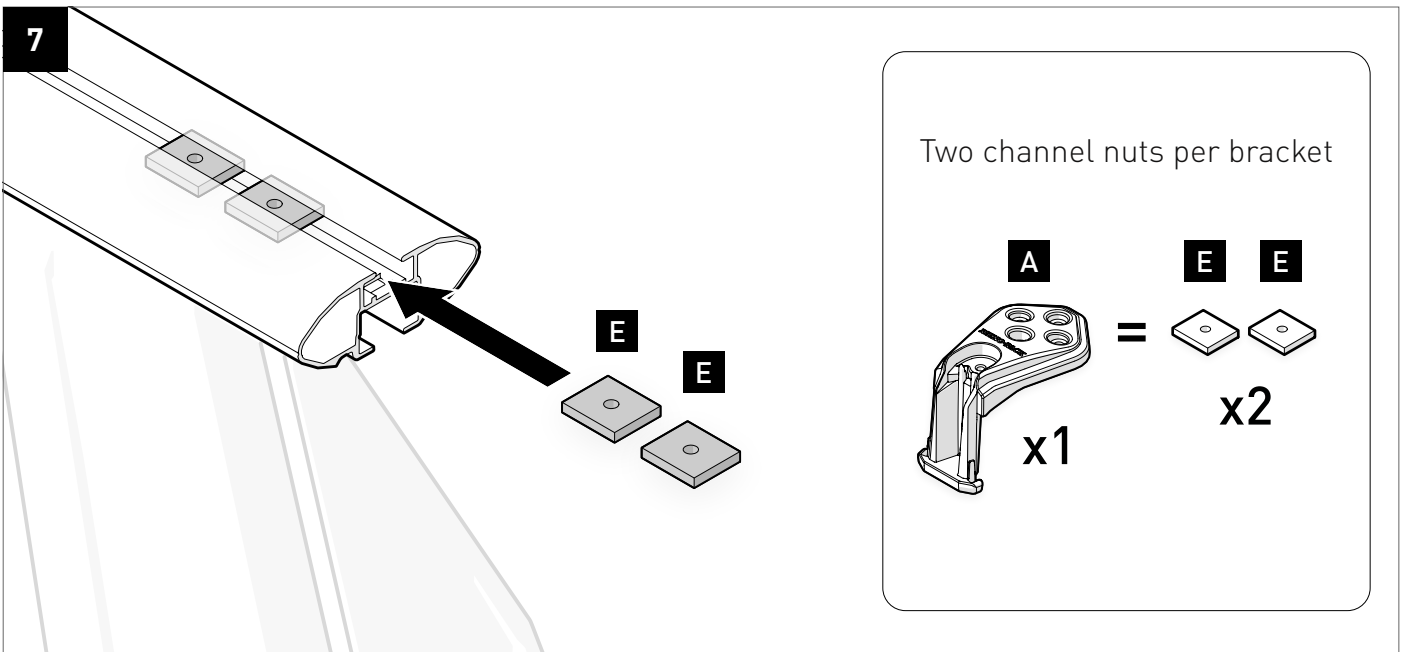
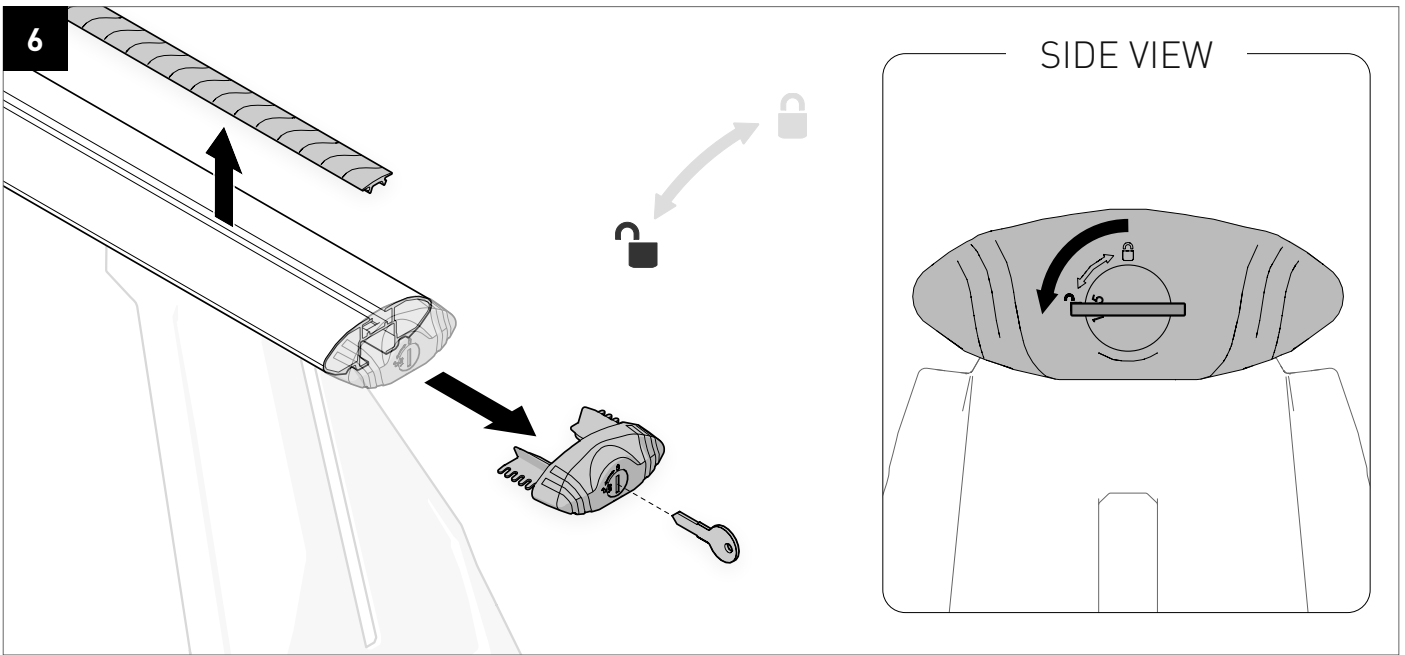
OR

IN-LINE



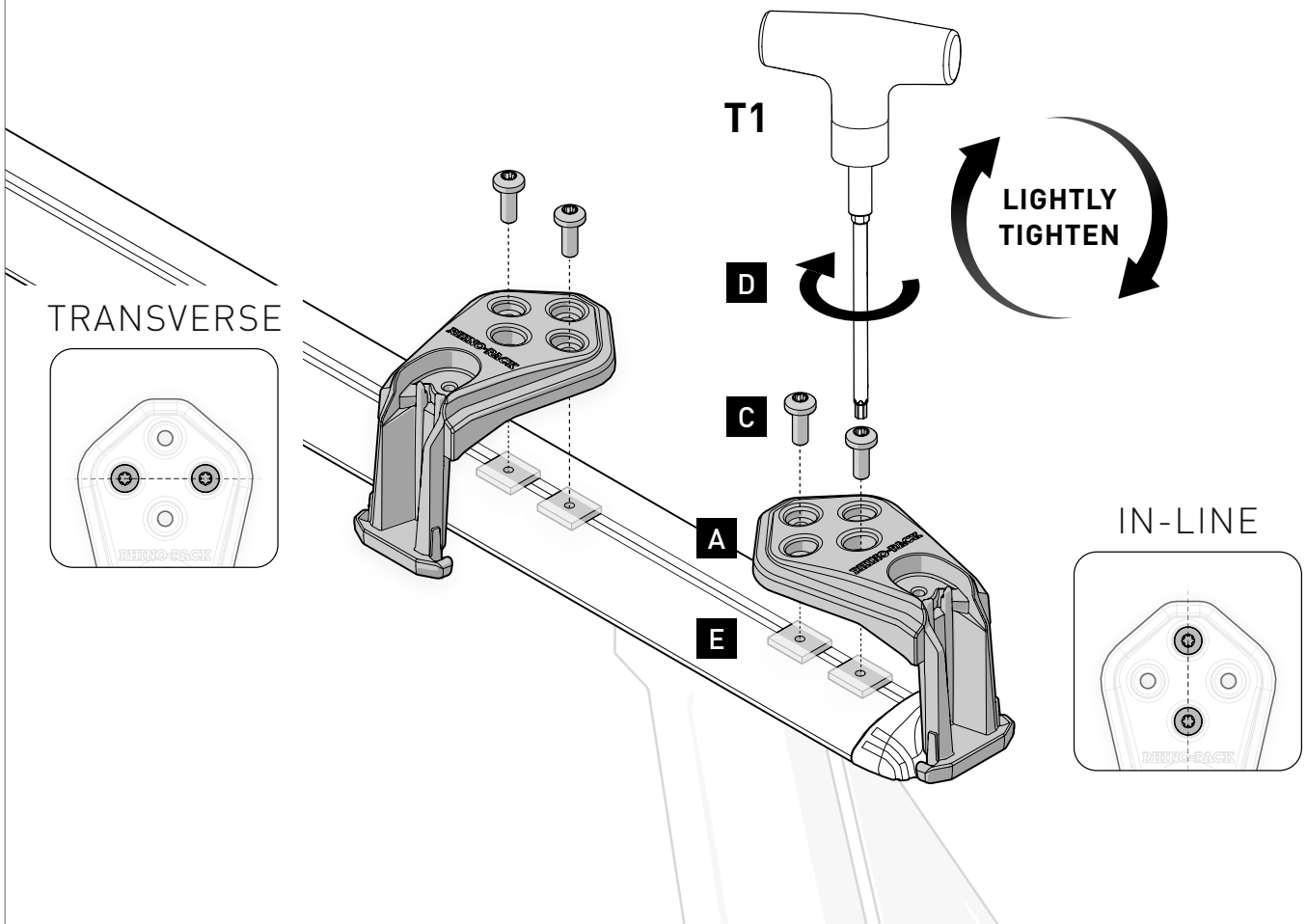


FOR INSTALLATION ONTO VORTEX CROSS BARS



9

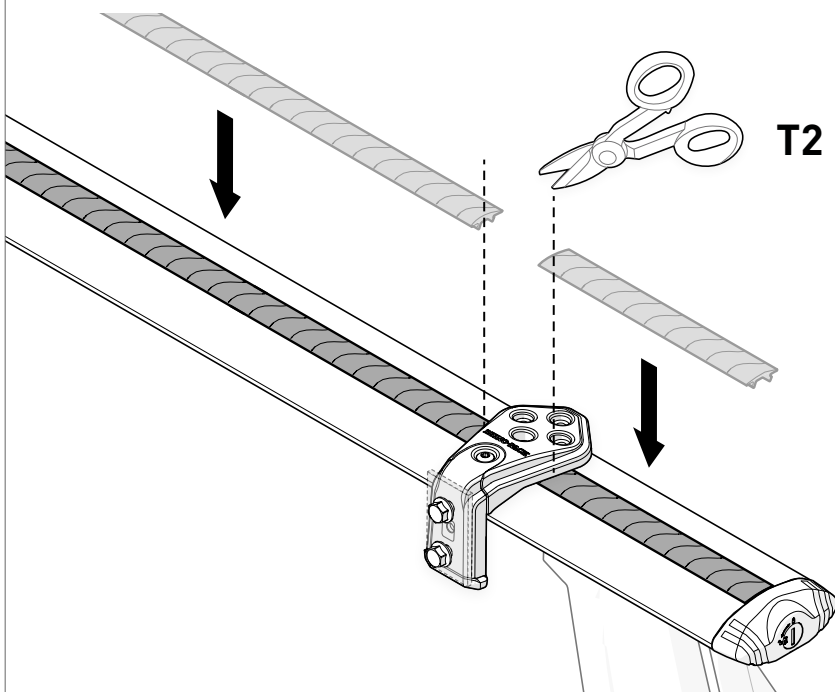
Refer to MOUNTING CONFIGURATIONS on Page 3



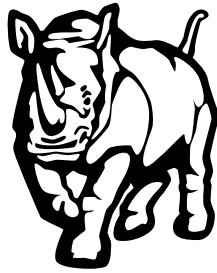
CONTINUE TO ADAPTOR INSTRUCTION FOR REMAINING STEPS

10

ADDITIONAL STEP FOR VORTEX CROSS BARS
(AFTER COMPLETION OF ADAPTOR STEPS)



Trim rubber Vortex strips to size and place around each Base Bracket.



RHINO-RACK®

MAKE SPACE FOR ADVENTURE

RHINORACK.COM

Rhino-Rack AUSTRALIA

22A Hanson Pl,
Eastern Creek, NSW, 2766

Rhino-Rack USA

19822 East 22nd Ave,
Aurora, CO, 80011